



TRANSIT TRADE PACKAGES

VEHICLE SHELVING SYSTEMS

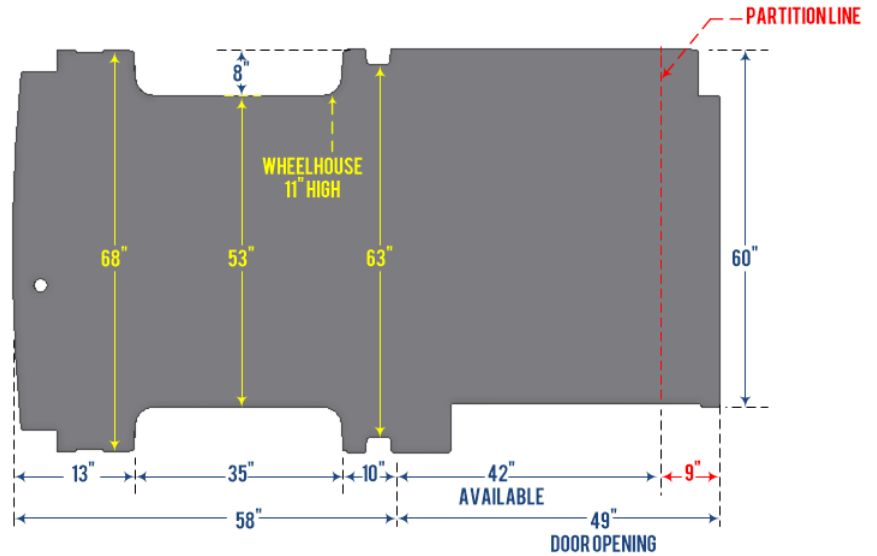


FLOOR LAYOUT PLANS

130" WHEELBASE

INSIDE ROOF HEIGHT

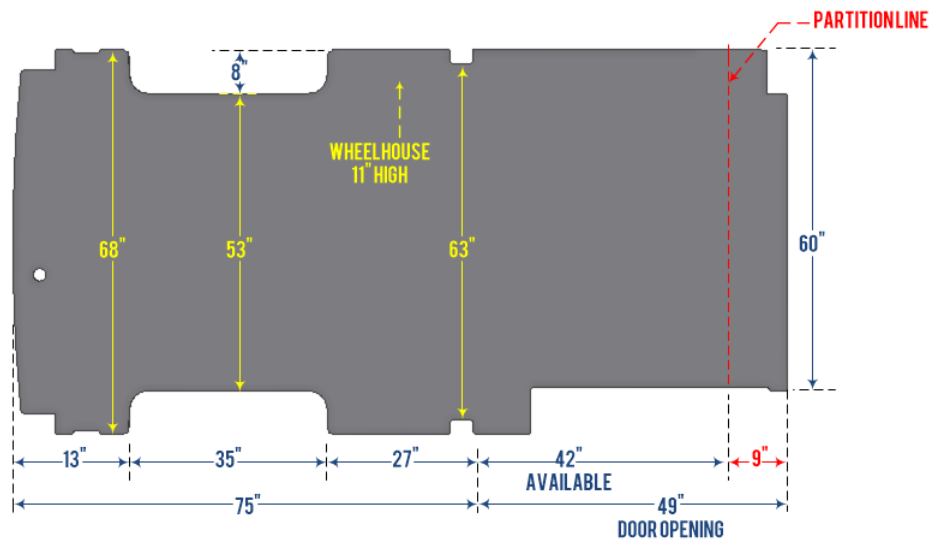
LOW ROOF: 53"
MEDIUM ROOF: 70"



148" WHEELBASE

INSIDE ROOF HEIGHT

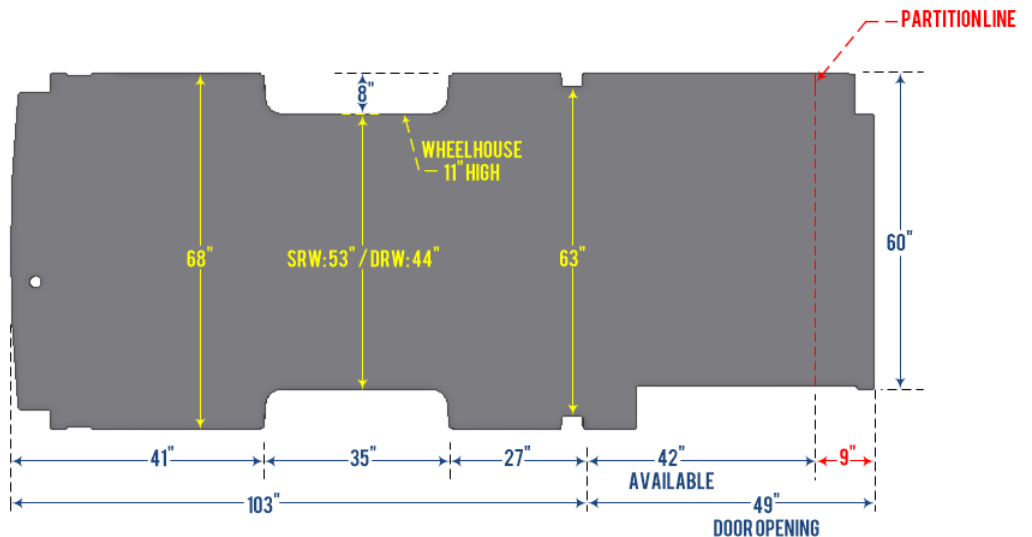
LOW ROOF: 53"
MEDIUM ROOF: 70"
HIGH ROOF: 79"



148" EXTENDED WHEELBASE

INSIDE ROOF HEIGHT

HIGH ROOF: 79"



FORD TRANSIT

TRANSIT 130" WB LOW ROOF	4
TRANSIT 130" WB MEDIUM ROOF	8
TRANSIT 148" WB LOW ROOF	12
TRANSIT 148" WB MEDIUM ROOF	16
TRANSIT 148" WB HIGH ROOF	20
TRANSIT 148" EXTENDED WB HIGH ROOF	24
PARTITIONS	28
ACCESSORIES	29

LEGEND:



APPROXIMATE WEIGHT (LBS)



APPROXIMATE INSTALL TIME (HRS)



SPEED SHIP AVAILABILITY

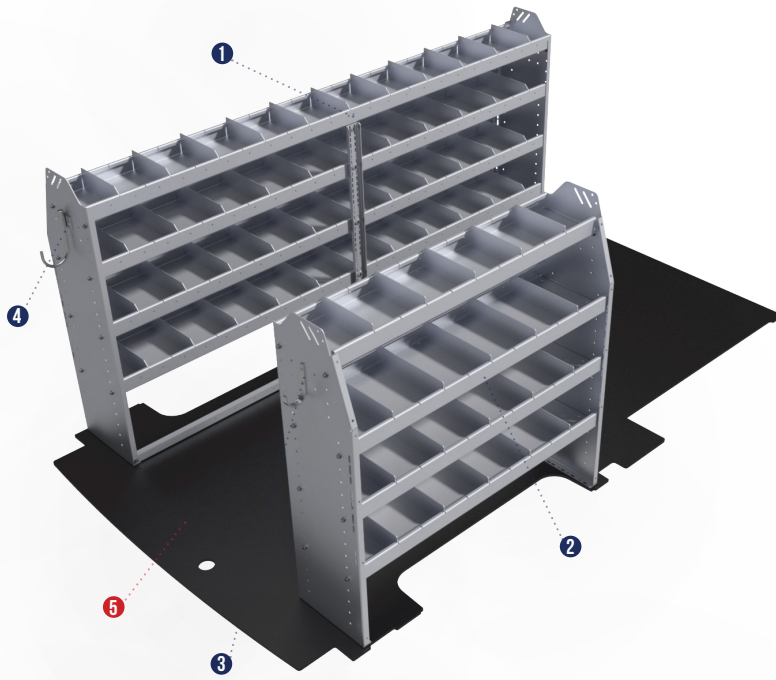
TRADE PACKAGES

FORD TRANSIT 130" WHEELBASE LOW ROOF



60-FT11-C1

CONTRACTOR PACKAGE



#	QTY	PART NUMBER	DESCRIPTION
1	1	21-9348-4	PROFILED BACK SHELF UNIT 96" WIDE X 13.5" DEEP X 48" HIGH WITH 4 SHELVES
2	1	21-4348-4	PROFILED BACK SHELF UNIT 48" WIDE X 13.5" DEEP X 48" HIGH WITH 4 SHELVES
3	1	30-HK-FMD	FIXED MEDIUM HOOK (3" OPENING)
4	1	30-HK-SMD	SWIVEL MEDIUM HOOK (4" OPENING)
OPTIONS			
5	1	31-FT10-XX	--OPTIONAL-- SEE VEHICLE SPECIFIC RIGID FLOORING SYSTEMS SECTION



176



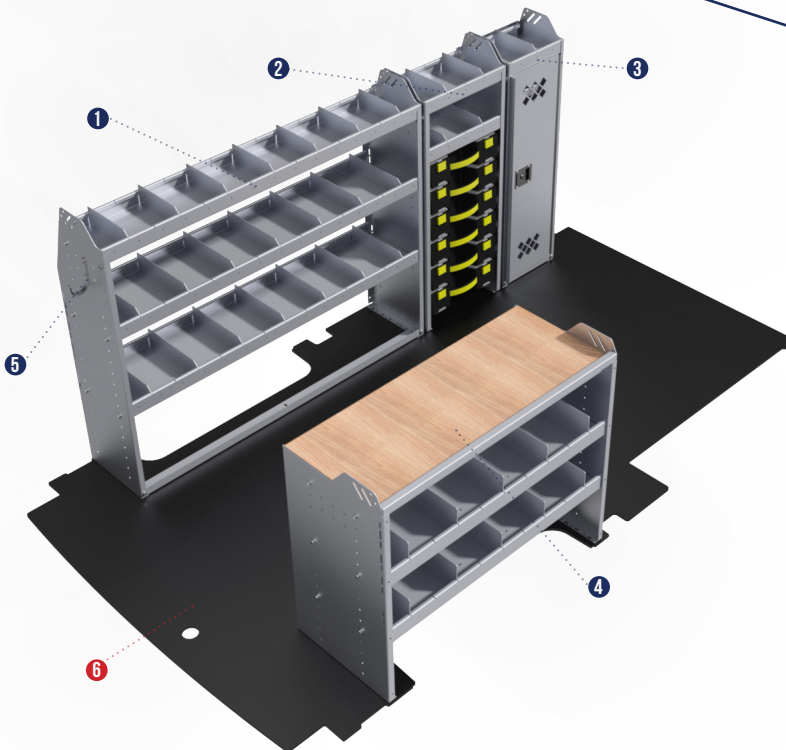
4.1



YES

60-FT11-E1

ELECTRICAL PACKAGE



#	QTY	PART NUMBER	DESCRIPTION
1	1	21-6348-3	PROFILED BACK SHELF UNIT 60" WIDE X 13.5" DEEP X 48" HIGH WITH 3 SHELVES
2	1	15-1348-6	PROFILED BACK CARRY CASE CABINET 18-7/8" WIDE X 13.5" DEEP X 48" HIGH WITH 6 CARRIES
3	1	13-1348-2	PROFILED BACK LOCKER CABINET 14" WIDE X 13.5" DEEP X 48" HIGH AND 2 SHELVES AND 2 HOOKS AND HANG ROD
4	1	18-4836-4W	WORKBENCH 43" WIDE X 18.5" DEEP X 36" HIGH WITH 2 HIGH DIVIDER SHELVES AND A 1.5" THICK HARDWOOD WORKTOP
5	1	30-HK-FMD	FIXED MEDIUM HOOK (3" OPENING)
OPTIONS			
6	1	31-FT10-XX	--OPTIONAL-- SEE VEHICLE SPECIFIC RIGID FLOORING SYSTEMS SECTION



273

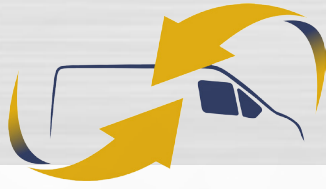


4.3



YES

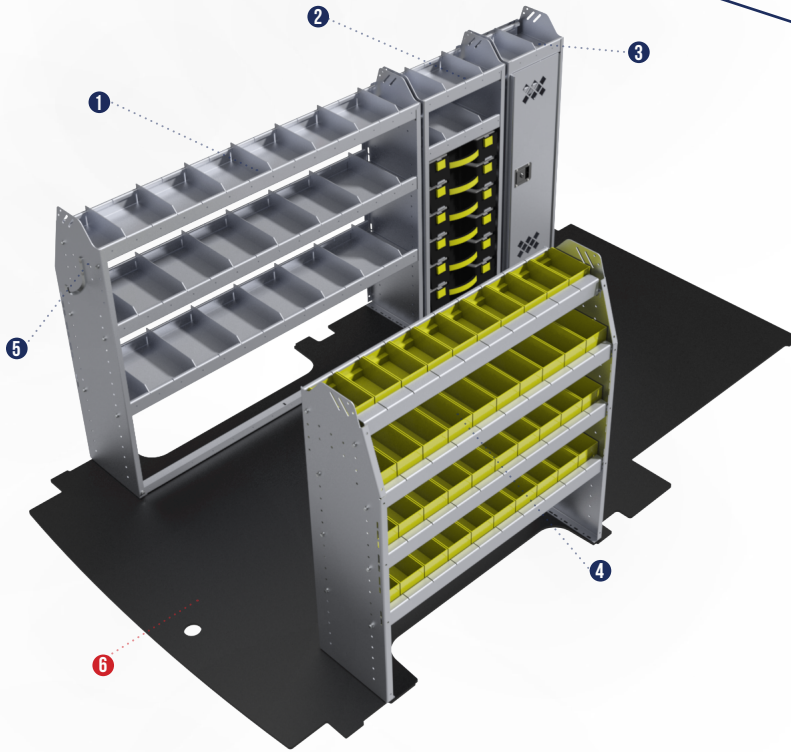
TRADE PACKAGES



FORD TRANSIT 130" WHEELBASE LOW ROOF

60-FT11-S1

SERVICE PACKAGE



#	QTY	PART NUMBER	DESCRIPTION
1	1	21-6348-3	PROFILED BACK SHELF UNIT 60"WIDE X 13.5"DEEP X 48"HIGH WITH 3 SHELVES
2	1	15-1348-6	PROFILED BACK CARRY CASE CABINET 18-7/8"WIDE X 13.5"DEEP X 48"HIGH WITH 6 CARRYCASES
3	1	13-1348-2	PROFILED BACK LOCKER CABINET 14"WIDE X 13.5"DEEP X 48"HIGH AND 2 SHELVES AND 2 HOOKS AND HANG ROD
4	1	23-4348-4	PROFILED BACK BIN SHELF UNIT 43"WIDE X 13.5"DEEP X 48"HIGH WITH 4 SHELVES
5	1	30-HK-FMD	FIXED MEDIUM HOOK (3" OPENING)
OPTIONS			
6	1	31-FT10-XX	--OPTIONAL-- SEE VEHICLE SPECIFIC RIGID FLOORING SYSTEMS SECTION



243



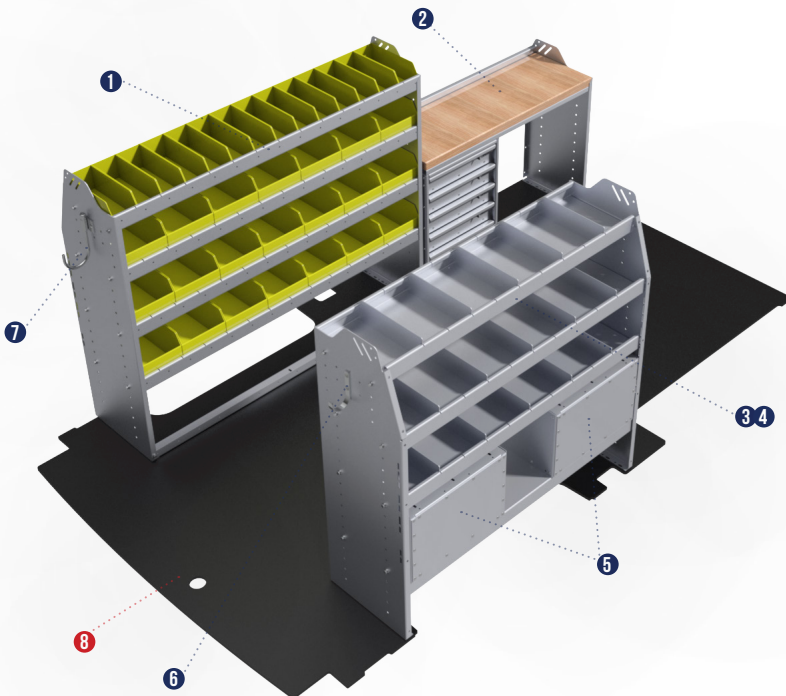
4.1



YES

60-FT11-W1

WORKSTATION PACKAGE



#	QTY	PART NUMBER	DESCRIPTION
1	1	23-5548-4	PROFILED BACK BIN SHELF UNIT 59.938"WIDE X 15.5"DEEP X 48"HIGH WITH 4 SHELVES
2	1	18-4530-LD	WORKBENCH 43"WIDE X 15.5"DEEP X 30"HIGH WITH A 6 DRAWER UNIT ON LEFT HAND SIDE
3	1	21-4548-4	PROFILED BACK SHELF UNIT 48"WIDE X 15.5"DEEP X 48"HIGH WITH 4 SHELVES
4	2	DD-148	LOCKING DOOR FOR 48"WIDE SHELVING UNIT
5	2	16-1512-110	TOOL DRAWER 18"WIDE X 15.5"DEEP X 11-11/16"HIGH WITH 2 DRAWERS
6	1	30-HK-FMD	FIXED MEDIUM HOOK (3" OPENING)
7	1	30-HK-SMD	SWIVEL MEDIUM HOOK (4" OPENING)
OPTIONS			
8	1	31-FT10-XX	--OPTIONAL-- SEE VEHICLE SPECIFIC RIGID FLOORING SYSTEMS SECTION



260



5.1



YES

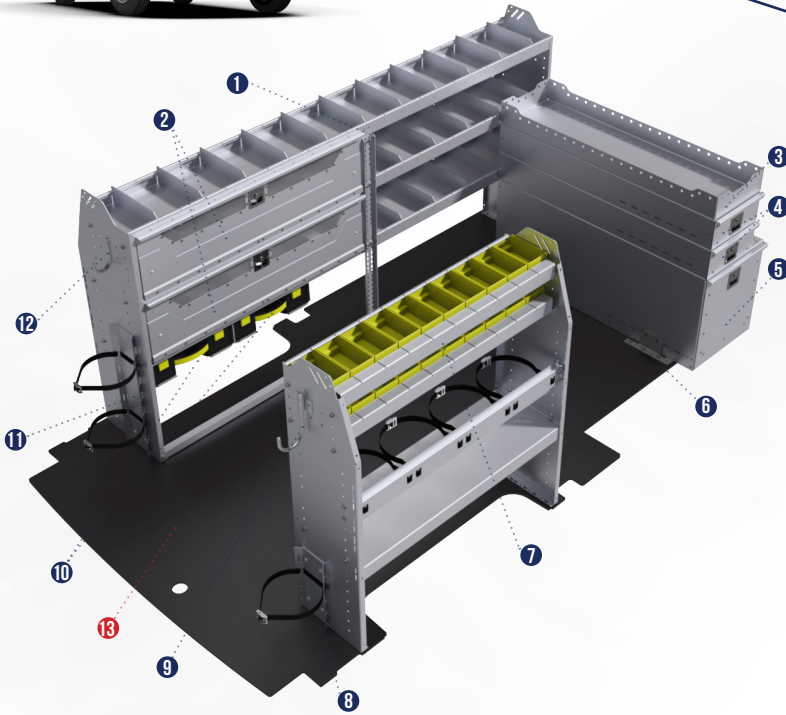
TRADE PACKAGES

FORD TRANSIT 130" WHEELBASE LOW ROOF



60-FT11-H1

HVAC PACKAGE



#	QTY	PART NUMBER	DESCRIPTION
1	1	21-9548-3	PROFILED BACK SHELF UNIT 96" WIDE X 15.5" DEEP X 48" HIGH WITH 3 SHELVES
2	1	DO-196	2-SET LOCKING DOOR KIT FOR 96" WIDE SHELVING UNIT
3	1	30-TE-34	TOP EDGE FOR DRAWER CABINET 13.5" WIDE X 48" DEEP
4	2	11-3406-0	DRAWER CABINET 13.5" WIDE X 48" DEEP X 6" HIGH
5	1	11-8420-0	DRAWER CABINET 18" WIDE X 48" DEEP X 20" HIGH
6	1	30-FH-8	18" WIDE DRAWER BOLT DOWN BRACKET
7	1	37-4348-3	PROFILED BACK REFRIGERANT BIN UNIT 43" WIDE X 13.5" DEEP X 48" HIGH WITH 2 SHELVES
8	1	30-BH-SM	SMALL BOTTLE HOLDER
9	1	30-HK-SMD	SWIVEL MEDIUM HOOK (4" OPENING)
10	2	30-CCH-SK	UNDER SHELF CARRY CASE HOLDER W/CASE
11	1	30-BH-LG	LARGE BOTTLE HOLDER
12	1	30-HK-FMD	FIXED MEDIUM HOOK (3" OPENING)
OPTIONS			
13	1	31-FT10-XX	--OPTIONAL-- SEE VEHICLE SPECIFIC RIGID FLOORING SYSTEMS SECTION



330



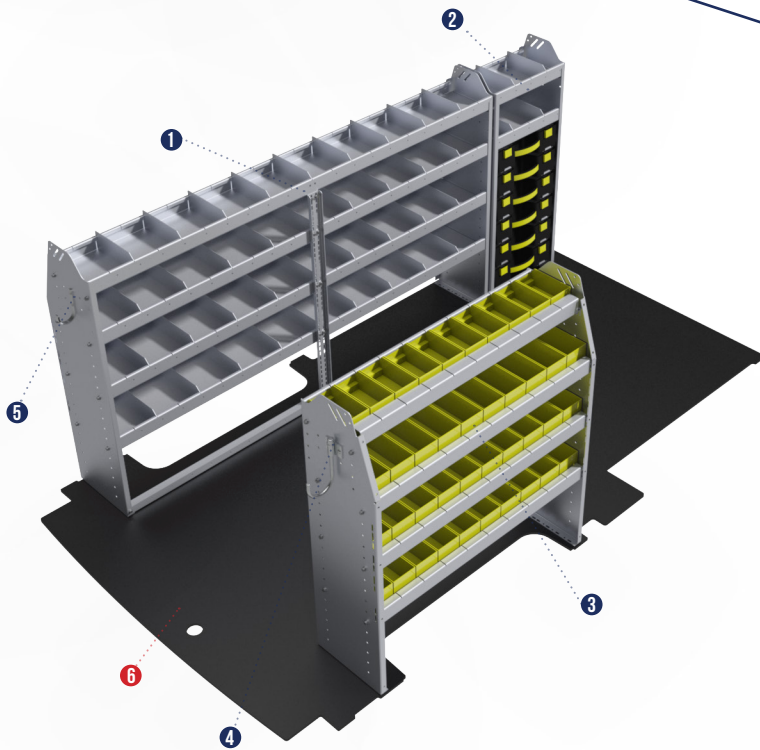
6.6



YES

60-FT11-P1

PLUMBING PACKAGE



#	QTY	PART NUMBER	DESCRIPTION
1	1	21-8348-4	PROFILED BACK SHELF UNIT 84" WIDE X 13.5" DEEP X 48" HIGH WITH 4 SHELVES
2	1	15-1348-6	PROFILED BACK CARRY CASE CABINET 18-7/8" WIDE X 13.5" DEEP X 48" HIGH WITH 6 CARRYCASES
3	1	23-4348-4	PROFILED BACK BIN SHELF UNIT 43" WIDE X 13.5" DEEP X 48" HIGH WITH 4 SHELVES
4	1	30-HK-SMD	SWIVEL MEDIUM HOOK (4" OPENING)
5	1	30-HK-FMD	FIXED MEDIUM HOOK (3" OPENING)
OPTIONS			
6	1	31-FT10-XX	--OPTIONAL-- SEE VEHICLE SPECIFIC RIGID FLOORING SYSTEMS SECTION



243



5.1



YES

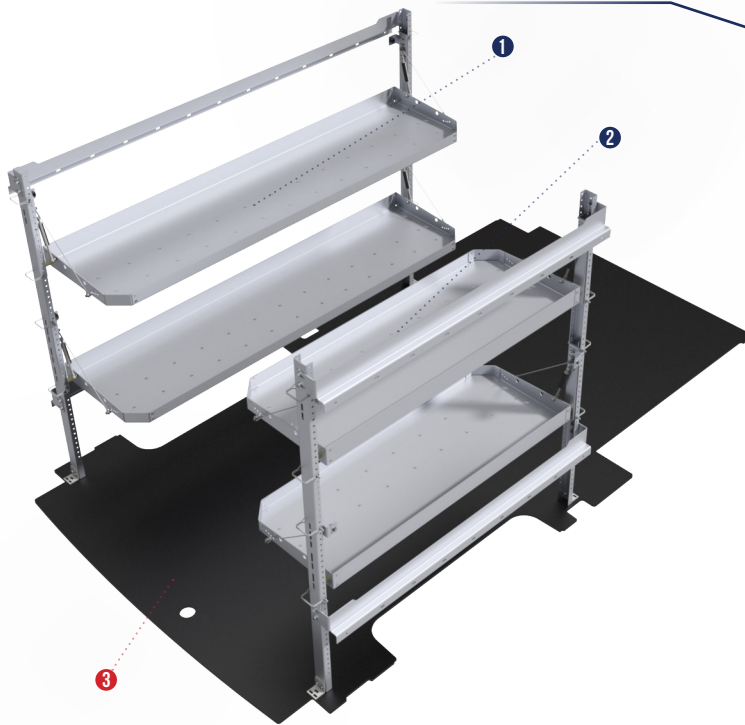
TRADE PACKAGES



FORD TRANSIT 130" WHEELBASE LOW ROOF

60-FT11-D1

DELIVERY PACKAGE



#	QTY	PART NUMBER	DESCRIPTION
1	1	26-7058-20	2 LEVEL FOLD-UP SHELVING UNIT, 77" WIDE X 18" DEEP X 58" HIGH
2	1	26-5058-20	2 LEVEL FOLD-UP SHELVING UNIT, 53" WIDE X 18" DEEP X 58" HIGH
OPTIONS			
3	1	31-FT10-XX	--OPTIONAL-- SEE VEHICLE SPECIFIC RIGID FLOORING SYSTEMS SECTION



115

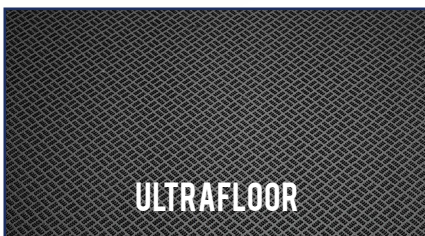


2.6



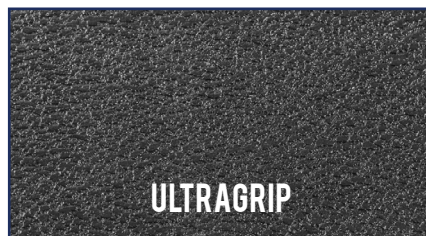
YES

RIGID FLOORING OPTIONS FOR FORD TRANSIT 130" WB



ULTRAFLOOR

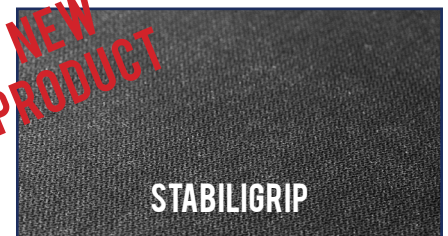
RIGID 1/2" thick 100% recycled plastic composite. Extremely rigid floor is the most durable in its class. Long life, enduring extreme temperatures to avoid cracking and splitting. Non-porous surface is liquid resistant to eliminate bacteria and mold formation. Heavy-duty protection adds to end-of-lease resale value. For use under the harshest conditions including forklift loading.



ULTRAGRIP

ANTI-SLIP, rigid 1/2" thick 100% rubber coated composite plastic. The most anti-slip rigid floor in its class. Non-porous surface is liquid resistant to eliminate bacteria and mold formation. Heavy-duty protection adds to end-of-lease resale value with added benefit of non-slip surface.

NEW PRODUCT



STABILIGRIP

STABLE. It is one of the only dimensional stable composite floors available on the market for cargo vehicles. It is engineered to endure all climates and temperatures without bulging or buckling. StabiliGrip is extremely durable, impact resilient, moisture resistant, rot proof, and anti-slip.

PART NUMBER	FLOOR MODEL	# PIECES	TOTAL LENGTH	TOTAL WIDTH	BETWEEN WHEELHOUSES	INSTALL (MIN.)	WEIGHT (LBS.)	OPTIONS	
								SIDE SILL	REAR SILL
31-FT10-11	ULTRAFLOOR	1	120.43 IN.	68.12 IN.	52.97 IN.	20	83	31-FT10-31	31-FT10-41
31-FT10-12	ULTRAFLOOR	2	120.43 IN.	68.12 IN.	52.97 IN.	20	83	31-FT10-31	31-FT10-41
31-FT10-21	ULTRAGRIP	1	120.43 IN.	68.12 IN.	52.97 IN.	20	94	31-FT10-31	31-FT10-41
31-FT10-22	ULTRAGRIP	2	120.43 IN.	68.12 IN.	52.97 IN.	20	94	31-FT10-31	31-FT10-41
31-FT10-01	STABILIGRIP	1	120.43 IN.	68.12 IN.	52.97 IN.	20	114	31-FT10-31	31-FT10-41
31-FT10-02	STABILIGRIP	2	120.43 IN.	68.12 IN.	52.97 IN.	20	114	31-FT10-31	31-FT10-41

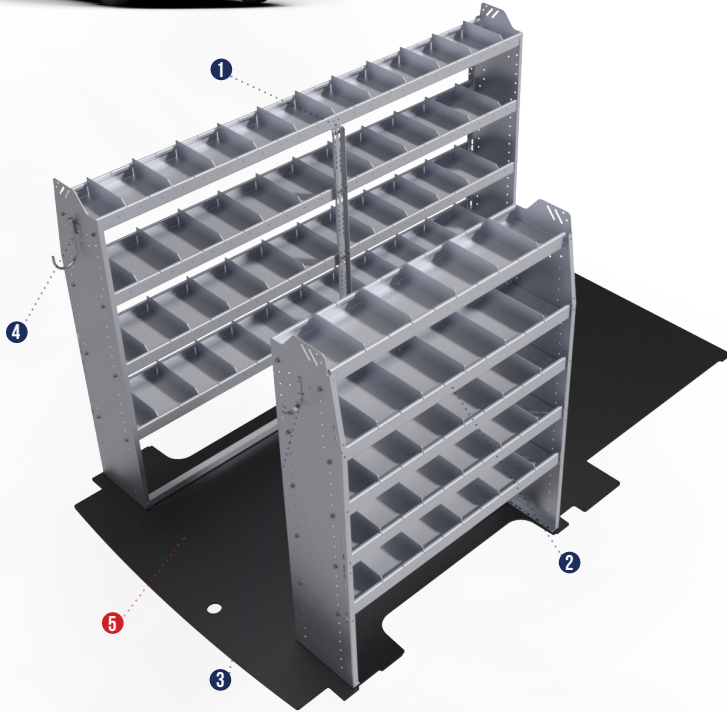
TRADE PACKAGES

FORD TRANSIT 130" WHEELBASE MEDIUM ROOF



60-FT12-C1

CONTRACTOR
PACKAGE



#	QTY	PART NUMBER	DESCRIPTION
1	1	21-9363-4	PROFILED BACK SHELF UNIT 96" WIDE X 13.5" DEEP X 63" HIGH WITH 4 SHELVES
2	1	21-4363-5	PROFILED BACK SHELF UNIT 48" WIDE X 13.5" DEEP X 63" HIGH WITH 5 SHELVES
3	1	30-HK-FMD	FIXED MEDIUM HOOK (3" OPENING)
4	1	30-HK-SMD	SWIVEL MEDIUM HOOK (4" OPENING)
OPTIONS			
5	1	31-FT10-XX	--OPTIONAL-- SEE VEHICLE SPECIFIC RIGID FLOORING SYSTEMS SECTION



199



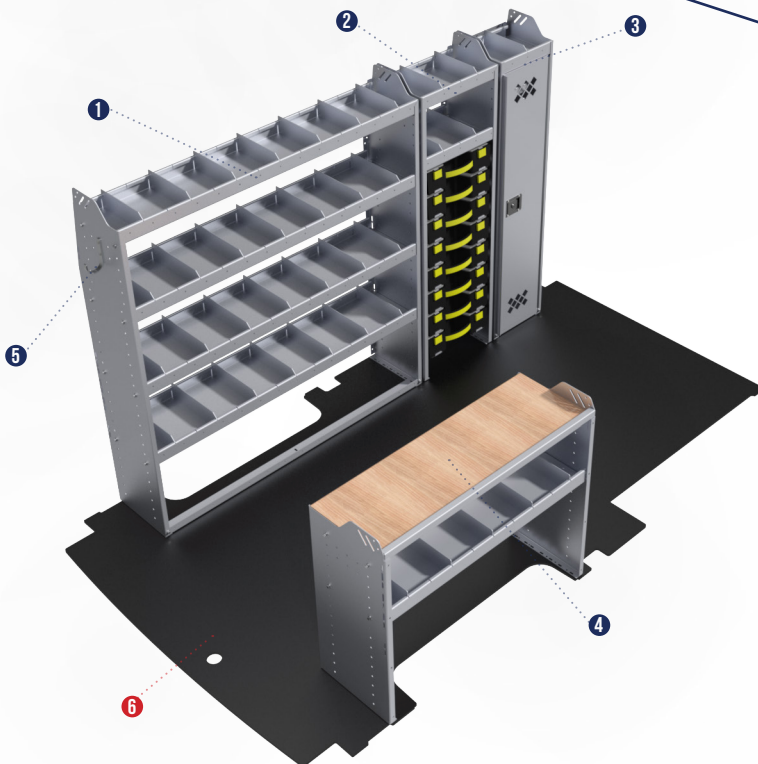
2.7



YES

60-FT12-E1

ELECTRICAL
PACKAGE



#	QTY	PART NUMBER	DESCRIPTION
1	1	21-9363-4	PROFILED BACK SHELF UNIT 60" WIDE X 13.5" DEEP X 63" HIGH WITH 4 SHELVES
2	1	15-1363-8	PROFILED BACK CARRY CASE CABINET 18-7/8" WIDE X 13.5" DEEP X 63" HIGH WITH 8 CARRIES
3	1	13-1363-3	PROFILED BACK LOCKER CABINET 14" WIDE X 13.5" DEEP X 63" HIGH WITH 3 SHELVES AND 2 HOOKS AND HANG ROD
4	1	18-4536-1W	WORKBENCH 43" WIDE X 15.5" DEEP X 36" HIGH WITH 1 STANDARD DIVIDER SHELF AND A 1.5" THICK HARDWOOD WORKTOP
5	1	30-HK-FMD	FIXED MEDIUM HOOK (3" OPENING)
OPTIONS			
6	1	31-FT10-XX	--OPTIONAL-- SEE VEHICLE SPECIFIC RIGID FLOORING SYSTEMS SECTION



295

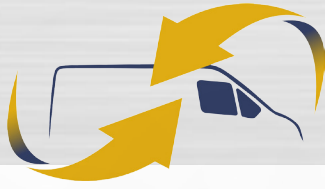


4.7



YES

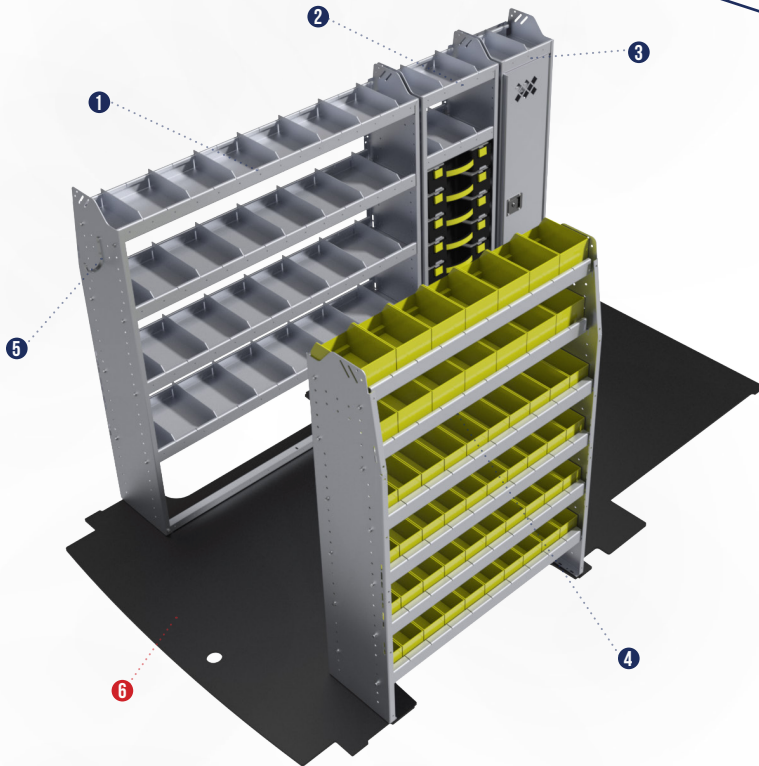
TRADE PACKAGES



FORD TRANSIT 130" WHEELBASE MEDIUM ROOF

60-FT12-S1

SERVICE PACKAGE

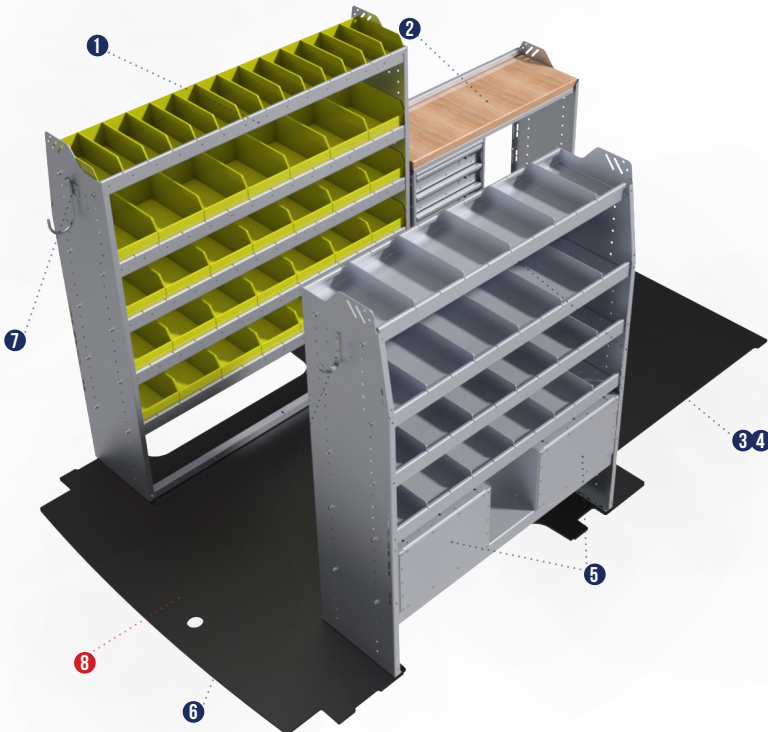


#	QTY	PART NUMBER	DESCRIPTION
1	1	21-6363-4	PROFILED BACK SHELF UNIT 60" WIDE X 13.5" DEEP X 63" HIGH WITH 4 SHELVES
2	1	15-1363-8	PROFILED BACK CARRY CASE CABINET 18-7/8" WIDE X 13.5" DEEP X 63" HIGH WITH 8 CARRYCASES
3	1	13-1363-3	PROFILED BACK LOCKER CABINET 14" WIDE X 13.5" DEEP X 63" HIGH WITH 3 SHELVES AND 2 HOOKS AND HANG ROD
4	1	23-4363-6	PROFILED BACK BIN SHELF UNIT 43" WIDE X 13.5" DEEP X 63" HIGH WITH 6 SHELVES
5	1	30-HK-FMD	FIXED MEDIUM HOOK (3" OPENING)
OPTIONS			
6	1	31-FT10-XX	--OPTIONAL-- SEE VEHICLE SPECIFIC RIGID FLOORING SYSTEMS SECTION



60-FT12-W1

WORKSTATION PACKAGE



#	QTY	PART NUMBER	DESCRIPTION
1	1	23-5563-5	PROFILED BACK BIN SHELF UNIT 59.938" WIDE X 15.5" DEEP X 63" HIGH WITH 5 SHELVES
2	1	18-4536-LD	WORKBENCH 43" WIDE X 15.5" DEEP X 30" HIGH WITH A 6 DRAWER UNIT ON LEFT HAND SIDE
3	1	21-4548-4	PROFILED BACK SHELF UNIT 48" WIDE X 15.5" DEEP X 48" HIGH WITH 4 SHELVES
4	1	DD-148	LOCKING DOOR FOR 48" WIDE SHELVING UNIT
5	2	16-1512-110	TOOL DRAWER 18" WIDE X 15.5" DEEP X 11-11/16" HIGH WITH 2 DRAWERS
6	1	30-HK-FMD	FIXED MEDIUM HOOK (3" OPENING)
7	1	30-HK-SMD	SWIVEL MEDIUM HOOK (4" OPENING)
OPTIONS			
8	1	31-FT10-XX	--OPTIONAL-- SEE VEHICLE SPECIFIC RIGID FLOORING SYSTEMS SECTION



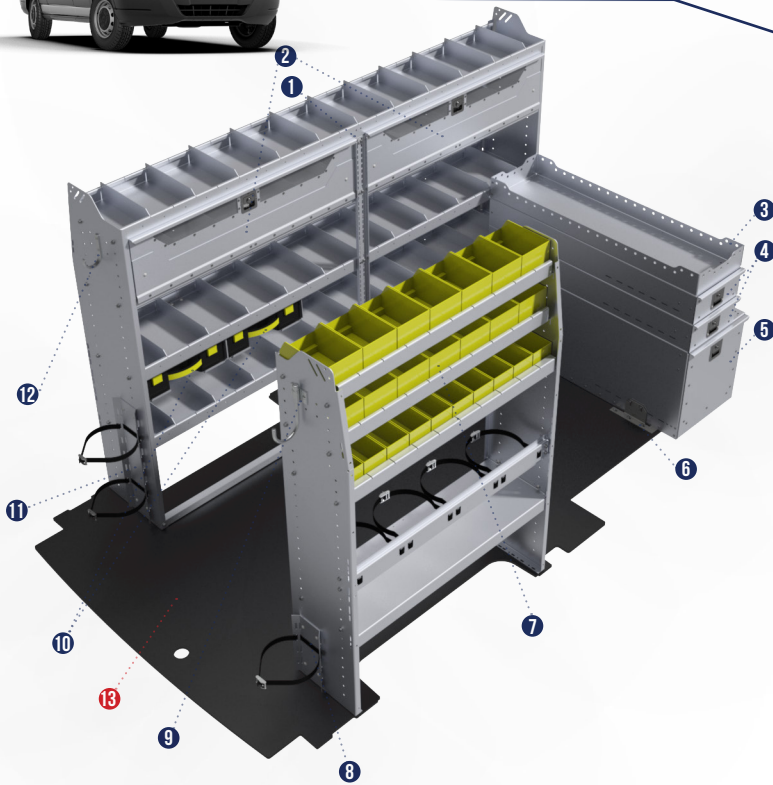
TRADE PACKAGES

FORD TRANSIT 130" WHEELBASE MEDIUM ROOF



60-FT12-H1

HVAC PACKAGE



#	QTY	PART NUMBER	DESCRIPTION
1	1	21-9563-4	PROFILED BACK SHELF UNIT 96" WIDE X 15.5" DEEP X 63" HIGH WITH 4 SHELVES
2	1	DO-196	2-SET LOCKING DOOR KIT FOR 96" WIDE SHELVING UNIT
3	1	30-TE-34	TOP EDGE FOR DRAWER CABINET 13.5" WIDE X 48" DEEP
4	2	11-3406-0	DRAWER CABINET 13.5" WIDE X 48" DEEP X 6" HIGH
5	1	11-8420-0	DRAWER CABINET 18" WIDE X 48" DEEP X 20" HIGH
6	1	30-FH-8	18" WIDE DRAWER BOLT DOWN BRACKET
7	1	37-4363-4	PROFILED BACK REFRIGERANT BIN UNIT 43" WIDE X 13.5" DEEP X 63" HIGH WITH 3 SHELVES
8	1	30-BH-SM	SMALL BOTTLE HOLDER
9	1	30-HK-SMD	SWIVEL MEDIUM HOOK (4" OPENING)
10	2	30-CCH-SK	UNDER SHELF CARRY CASE HOLDER W/CASE
11	1	30-BH-LG	LARGE BOTTLE HOLDER
12	1	30-HK-FMD	FIXED MEDIUM HOOK (3" OPENING)
OPTIONS			
13	1	31-FT10-XX	--OPTIONAL-- SEE VEHICLE SPECIFIC RIGID FLOORING SYSTEMS SECTION



385



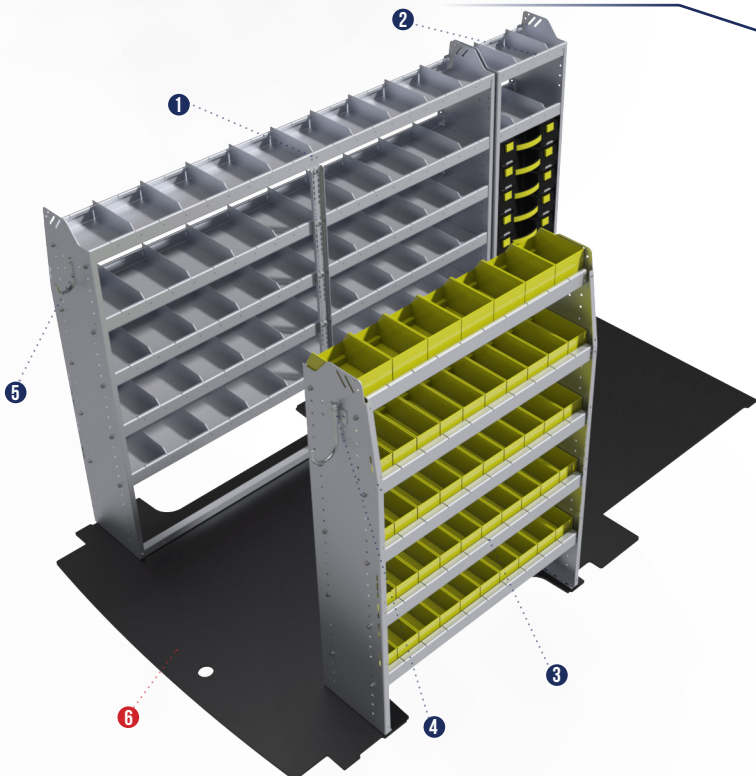
7.4



YES

60-FT12-P1

PLUMBING PACKAGE



#	QTY	PART NUMBER	DESCRIPTION
1	1	21-8363-5	PROFILED BACK SHELF UNIT 84" WIDE X 13.5" DEEP X 63" HIGH WITH 5 SHELVES
2	1	15-1363-8	PROFILED BACK CARRY CASE CABINET 18-7/8" WIDE X 13.5" DEEP X 63" HIGH WITH 8 CARRIES
3	1	23-4363-5	PROFILED BACK BIN SHELF UNIT 43" WIDE X 13.5" DEEP X 63" HIGH WITH 5 SHELVES
4	1	30-HK-SMD	SWIVEL MEDIUM HOOK (4" OPENING)
5	1	30-HK-FMD	FIXED MEDIUM HOOK (3" OPENING)
OPTIONS			
6	1	31-FT10-XX	--OPTIONAL-- SEE VEHICLE SPECIFIC RIGID FLOORING SYSTEMS SECTION



309



4.7



YES

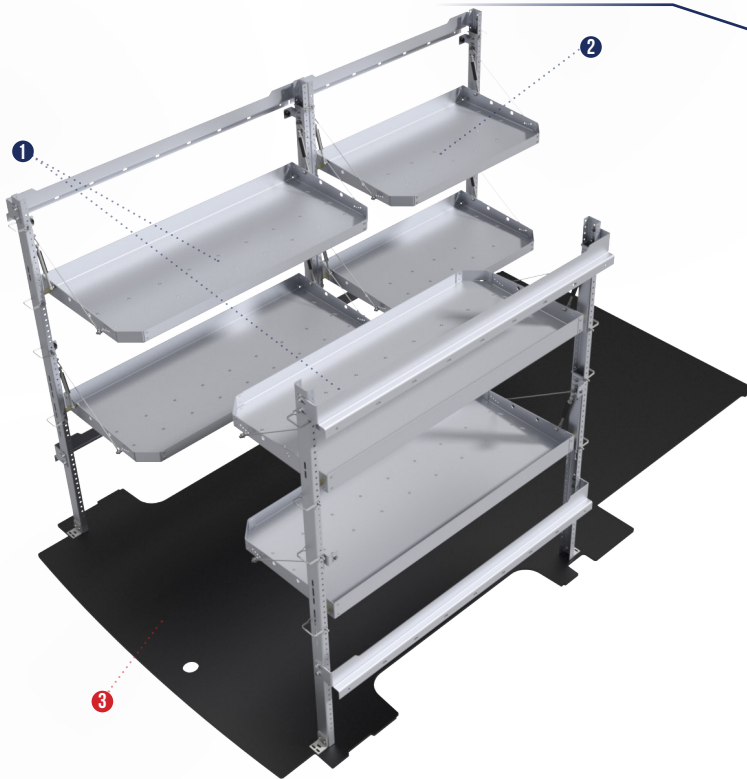
TRADE PACKAGES



FORD TRANSIT 130" WHEELBASE MEDIUM ROOF

60-FT12-D1

DELIVERY PACKAGE



#	QTY	PART NUMBER	DESCRIPTION
1	2	26-5063-02	2 LEVEL FOLD-UP SHELVING UNIT, 53" WIDE X 21" DEEP X 63" HIGH
2	1	26-4063-02	2 LEVEL FOLD-UP SHELVING UNIT, 41" WIDE X 21" DEEP X 63" HIGH
OPTIONS			
3	1	31-FT10-XX	--OPTIONAL-- SEE VEHICLE SPECIFIC RIGID FLOORING SYSTEMS SECTION



150



3.8



YES

RIGID FLOORING OPTIONS FOR FORD TRANSIT 130" WB



ULTRAFLOOR

RIGID 1/2" thick 100% recycled plastic composite. Extremely rigid floor is the most durable in its class. Long life, enduring extreme temperatures to avoid cracking and splitting. Non-porous surface is liquid resistant to eliminate bacteria and mold formation. Heavy-duty protection adds to end-of-lease resale value. For use under the harshest conditions including forklift loading.



ULTRAGRIP

ANTI-SLIP, rigid 1/2" thick 100% rubber coated composite plastic. The most anti-slip rigid floor in its class. Non-porous surface is liquid resistant to eliminate bacteria and mold formation. Heavy-duty protection adds to end-of-lease resale value with added benefit of non-slip surface.



STABILIGRIP

STABLE. It is one of the only dimensional stable composite floors available on the market for cargo vehicles. It is engineered to endure all climates and temperatures without bulging or buckling. StabiliGrip is extremely durable, impact resilient, moisture resistant, rot proof, and anti-slip.

PART NUMBER	FLOOR MODEL	# PIECES	TOTAL LENGTH	TOTAL WIDTH	BETWEEN WHEELHOUSES	INSTALL (MIN.)	WEIGHT (LBS.)	OPTIONS	
								SIDE SILL	REAR SILL
31-FT10-11	ULTRAFLOOR	1	120.43 IN.	68.12 IN.	52.97 IN.	20	83	31-FT10-31	31-FT10-41
31-FT10-12	ULTRAFLOOR	2	120.43 IN.	68.12 IN.	52.97 IN.	20	83	31-FT10-31	31-FT10-41
31-FT10-21	ULTRAGRIP	1	120.43 IN.	68.12 IN.	52.97 IN.	20	94	31-FT10-31	31-FT10-41
31-FT10-22	ULTRAGRIP	2	120.43 IN.	68.12 IN.	52.97 IN.	20	94	31-FT10-31	31-FT10-41
31-FT10-01	STABILIGRIP	1	120.43 IN.	68.12 IN.	52.97 IN.	20	114	31-FT10-31	31-FT10-41
31-FT10-02	STABILIGRIP	2	120.43 IN.	68.12 IN.	52.97 IN.	20	114	31-FT10-31	31-FT10-41

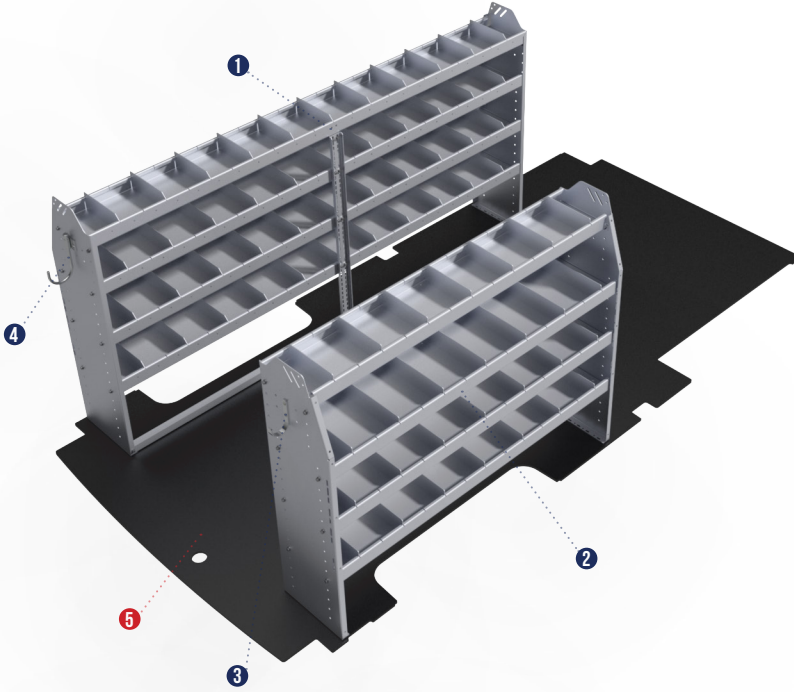
TRADE PACKAGES

FORD TRANSIT 148" WHEELBASE LOW ROOF



60-FT21-C1

CONTRACTOR PACKAGE



#	QTY	PART NUMBER	DESCRIPTION
1	1	21-9348-4	PROFILED BACK SHELF UNIT 96" WIDE X 13.5" DEEP X 48" HIGH WITH 4 SHELVES
2	1	21-6348-4	PROFILED BACK SHELF UNIT 60" WIDE X 13.5" DEEP X 48" HIGH WITH 4 SHELVES
3	1	30-HK-FMD	FIXED MEDIUM HOOK (3" OPENING)
4	1	30-HK-SMD	SWIVEL MEDIUM HOOK (4" OPENING)
OPTIONS			
5	1	31-FT20-XX	--OPTIONAL-- SEE VEHICLE SPECIFIC RIGID FLOORING SYSTEMS SECTION



188



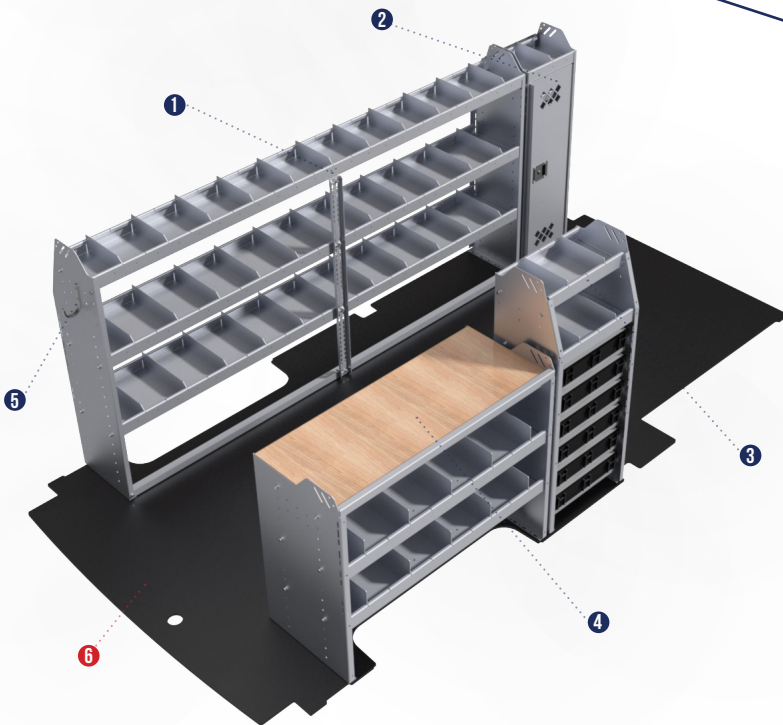
3.7



YES

60-FT21-E1

ELECTRICAL PACKAGE



#	QTY	PART NUMBER	DESCRIPTION
1	1	21-9348-3	PROFILED BACK SHELF UNIT 96" WIDE X 13.5" DEEP X 48" HIGH WITH 3 SHELVES
2	1	13-1348-2	PROFILED BACK LOCKER CABINET 14" WIDE X 13.5" DEEP X 48" HIGH AND 2 SHELVES AND 2 HOOKS AND HANG ROD
3	1	15-1348-6	PROFILED BACK CARRY CASE CABINET 18-7/8" WIDE X 13.5" DEEP X 48" HIGH WITH 6 CARRYCASES
4	1	18-4836-4W	WORKBENCH 43" WIDE X 18.5" DEEP X 36" HIGH WITH 2 HIGH DIVIDER SHELVES AND A 1.5" THICK HARDWOOD WORKTOP
5	1	30-HK-FMD	FIXED MEDIUM HOOK (3" OPENING)
OPTIONS			
6	1	31-FT20-XX	--OPTIONAL-- SEE VEHICLE SPECIFIC RIGID FLOORING SYSTEMS SECTION



300



4.9



YES

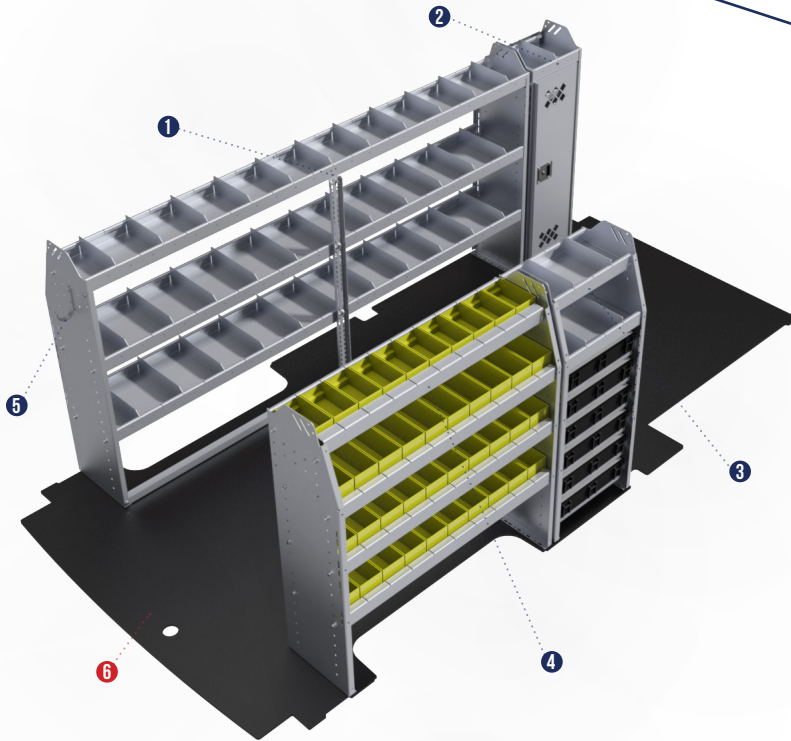
TRADE PACKAGES



FORD TRANSIT 148" WHEELBASE LOW ROOF

60-FT21-S1

SERVICE PACKAGE



#	QTY	PART NUMBER	DESCRIPTION
1	1	21-9348-3	PROFILED BACK SHELF UNIT 96" WIDE X 13.5" DEEP X 48" HIGH WITH 3 SHELVES
2	1	13-1348-2	PROFILED BACK LOCKER CABINET 14" WIDE X 13.5" DEEP X 48" HIGH AND 2 SHELVES AND 2 HOOKS AND HANG ROD
3	1	15-1348-6	PROFILED BACK CARRY CASE CABINET 18-7/8" WIDE X 13.5" DEEP X 48" HIGH WITH 6 CARRYCASES
4	1	23-4348-4	PROFILED BACK BIN SHELF UNIT 43" WIDE X 13.5" DEEP X 48" HIGH WITH 4 SHELVES
5	1	30-HK-FMD	FIXED MEDIUM HOOK (3" OPENING)
OPTIONS			
6	1	31-FT20-XX	--OPTIONAL-- SEE VEHICLE SPECIFIC RIGID FLOORING SYSTEMS SECTION

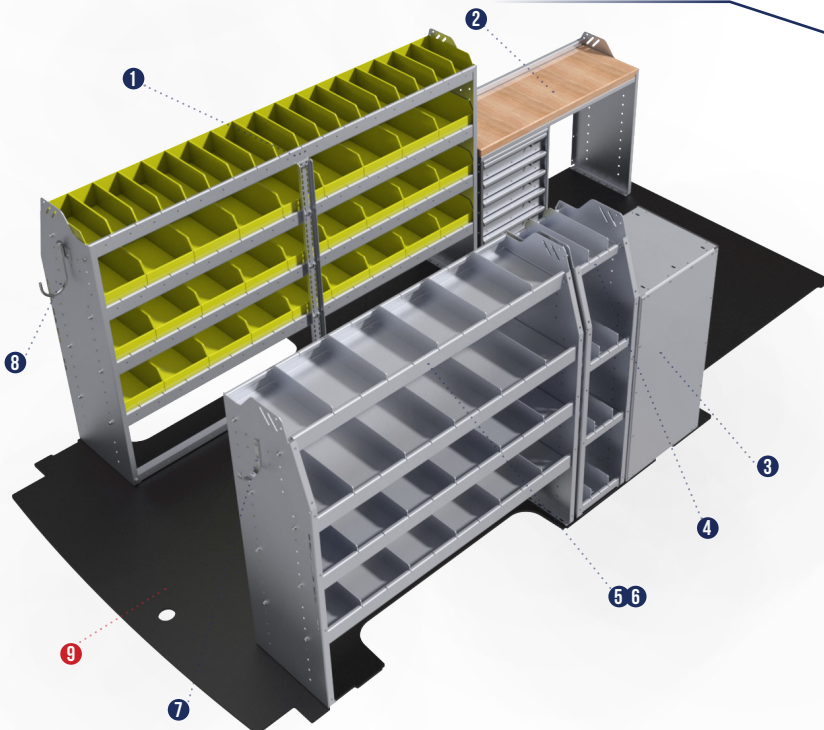
270

4.3

YES

60-FT21-W1

WORKSTATION PACKAGE



#	QTY	PART NUMBER	DESCRIPTION
1	1	23-7548-4	PROFILED BACK BIN SHELF UNIT 77.750" WIDE X 15.5" DEEP X 48" HIGH WITH 4 SHELVES
2	1	18-4530-LD	WORKBENCH 43" WIDE X 15.5" DEEP X 30" HIGH WITH A 6 DRAWER UNIT ON LEFT HAND SIDE
3	1	16-1536-710	TOOL DRAWER 18" WIDE X 15.5" DEEP X 35-11/16" HIGH WITH 8 DRAWERS
4	1	29-1548-4	PROFILED BACK BOOKSHELF, 11" WIDE X 15.5" DEEP X 48" HIGH WITH 4 SHELVES
5	1	21-4548-4	PROFILED BACK SHELF UNIT 48" WIDE X 15.5" DEEP X 48" HIGH WITH 4 SHELVES
6	1	DO-148	LOCKING DOOR FOR 48" WIDE SHELVING UNIT
7	1	30-HK-FMD	FIXED MEDIUM HOOK (3" OPENING)
8	1	30-HK-SMD	SWIVEL MEDIUM HOOK (4" OPENING)
OPTIONS			
9	1	31-FT20-XX	--OPTIONAL-- SEE VEHICLE SPECIFIC RIGID FLOORING SYSTEMS SECTION

316

6.9

YES

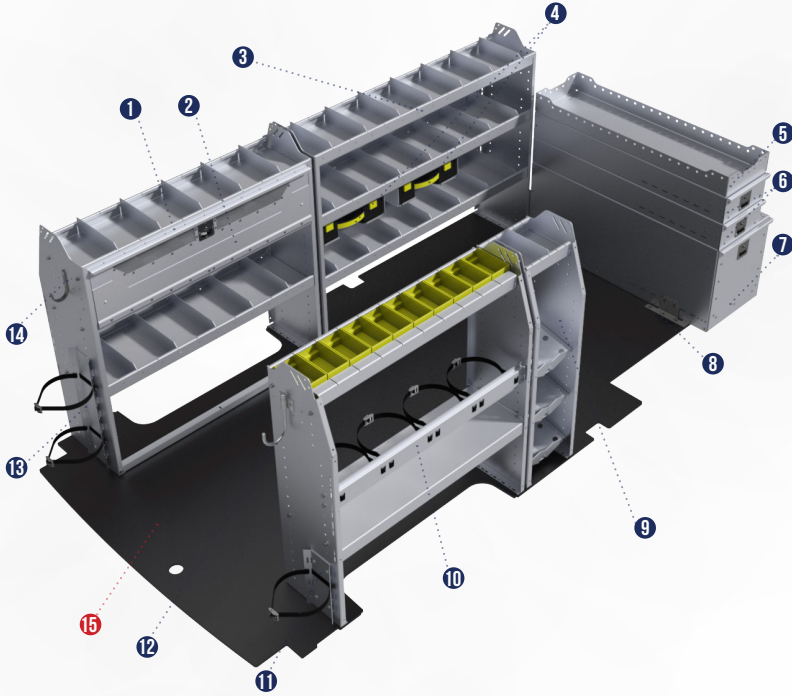
TRADE PACKAGES

FORD TRANSIT 148" WHEELBASE LOW ROOF



60-FT21-H1

HVAC PACKAGE

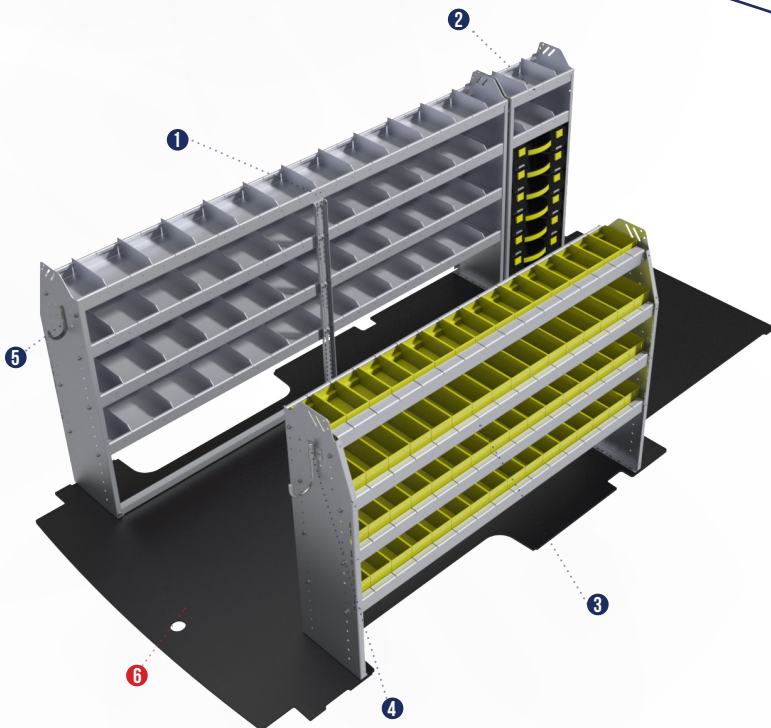


#	QTY	PART NUMBER	DESCRIPTION
1	1	21-4548-3	PROFILED BACK SHELF UNIT 48"WIDE X 15.5"DEEP X 48"HIGH WITH 3 SHELVES
2	1	DO-148	LOCKING DOOR FOR 48"WIDE SHELVING UNIT
3	1	21-6548-3	PROFILED BACK SHELF UNIT 60"WIDE X 15.5"DEEP X 48"HIGH WITH 3 SHELVES
4	2	30-CCH-SK	UNDER SHELF CARRY CASE HOLDER W/CASE
5	1	30-TE-34	TOP EDGE FOR DRAWER CABINET 13.5" WIDE X 48" DEEP
6	2	11-3406-0	DRAWER CABINET 13.5"WIDE X 48"DEEP X 6"HIGH
7	1	11-8420-0	DRAWER CABINET 18"WIDE X 48"DEEP X 20"HIGH
8	1	30-FH-8	18" WIDE DRAWER BOLT DOWN BRACKET
9	1	33-S348-3	PROFILED BACK REFRIGERANT SHELF UNIT 12.45"WIDE X 13.5"DEEP X 48"HIGH FOR 3 SMALL BOTTLES
10	1	37-4348-3	PROFILED BACK REFRIGERANT BIN UNIT 43"WIDE X 13.5"DEEP X 48"HIGH WITH 2 SHELVES
11	1	30-BH-SM	SMALL BOTTLE HOLDER
12	1	30-HK-SMD	SWIVEL MEDIUM HOOK (4" OPENING)
13	1	30-BH-LG	LARGE BOTTLE HOLDER
14	1	30-HK-FMD	FIXED MEDIUM HOOK (3" OPENING)
15	1	31-FT20-XX	--OPTIONAL-- SEE VEHICLE SPECIFIC RIGID FLOORING SYSTEMS SECTION

375
 7.4
 YES

60-FT21-P1

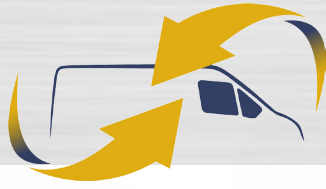
PLUMBING PACKAGE



#	QTY	PART NUMBER	DESCRIPTION
1	1	21-9348-4	PROFILED BACK SHELF UNIT 96"WIDE X 13.5"DEEP X 48"HIGH WITH 4 SHELVES
2	1	15-1348-6	PROFILED BACK CARRY CASE CABINET 18-7/8"WIDE X 13.5"DEEP X 48"HIGH WITH 6 CARRYSSES
3	1	23-6348-4	PROFILED BACK BIN SHELF UNIT 69.125"WIDE X 13.5"DEEP X 48"HIGH WITH 4 SHELVES
4	1	30-HK-SMD	SWIVEL MEDIUM HOOK (4" OPENING)
5	1	30-HK-FMD	FIXED MEDIUM HOOK (3" OPENING)
OPTIONS			
6	1	31-FT20-XX	--OPTIONAL-- SEE VEHICLE SPECIFIC RIGID FLOORING SYSTEMS SECTION

284
 4.7
 YES

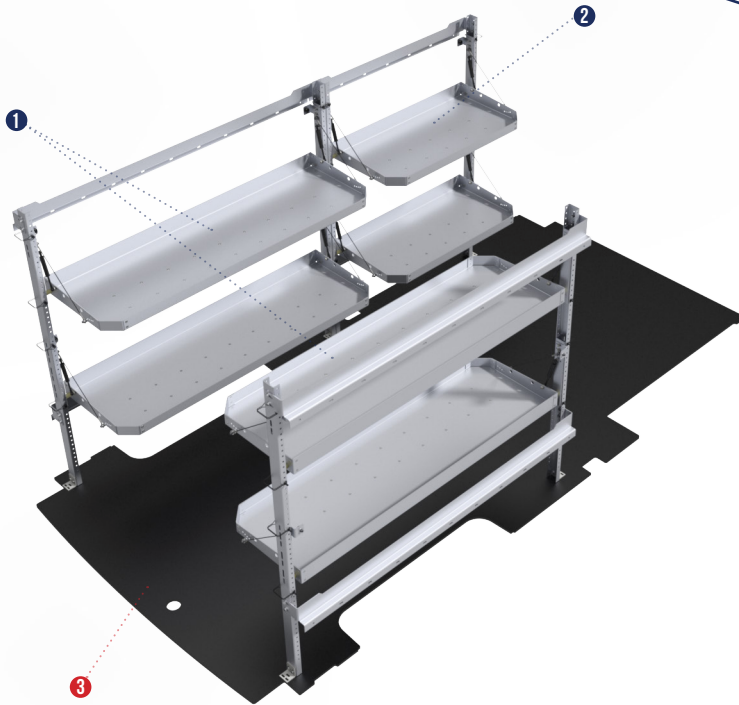
TRADE PACKAGES



FORD TRANSIT 148" WHEELBASE LOW ROOF

60-FT21-D1

DELIVERY PACKAGE



#	QTY	PART NUMBER	DESCRIPTION
1	2	26-6058-20	2 LEVEL FOLD-UP SHELVING UNIT, 63" WIDE X 18" DEEP X 58" HIGH
2	1	26-4058-20	2 LEVEL FOLD-UP SHELVING UNIT, 41" WIDE X 18" DEEP X 58" HIGH
OPTIONS			
3	1	31-FT20-XX	--OPTIONAL-- SEE VEHICLE SPECIFIC RIGID FLOORING SYSTEMS SECTION



156

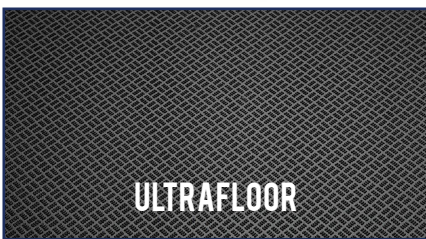


4.1



YES

RIGID FLOORING OPTIONS FOR FORD TRANSIT 148" WB



ULTRAFLOOR

RIGID 1/2" thick 100% recycled plastic composite. Extremely rigid floor is the most durable in its class. Long life, enduring extreme temperatures to avoid cracking and splitting. Non-porous surface is liquid resistant to eliminate bacteria and mold formation. Heavy-duty protection adds to end-of-lease resale value. For use under the harshest conditions including forklift loading.



ULTRAGRIP

ANTI-SLIP, rigid 1/2" thick 100% rubber coated composite plastic. The most anti-slip rigid floor in its class. Non-porous surface is liquid resistant to eliminate bacteria and mold formation. Heavy-duty protection adds to end-of-lease resale value with added benefit of non-slip surface.



STABILIGRIP

STABLE. It is one of the only dimensional stable composite floors available on the market for cargo vehicles. It is engineered to endure all climates and temperatures without bulging or buckling. StabiliGrip is extremely durable, impact resilient, moisture resistant, rot proof, and anti-slip.

PART NUMBER	FLOOR MODEL	# PIECES	TOTAL LENGTH	TOTAL WIDTH	BETWEEN WHEELHOUSES	INSTALL (MIN.)	WEIGHT (LBS.)	OPTIONS	
								SIDE SILL	REAR SILL
31-FT20-12	ULTRAFLOOR	2	138.16 IN.	68.12 IN.	52.97 IN.	20	98	31-FT20-31	31-FT20-41
31-FT20-13	ULTRAFLOOR	3	138.16 IN.	68.12 IN.	52.97 IN.	20	98	31-FT20-31	31-FT20-41
31-FT20-22	ULTRAGRIP	2	138.16 IN.	68.12 IN.	52.97 IN.	20	111	31-FT20-31	31-FT20-41
31-FT20-23	ULTRAGRIP	3	138.16 IN.	68.12 IN.	52.97 IN.	20	111	31-FT20-31	31-FT20-41
31-FT20-02	STABILIGRIP	2	138.16 IN.	68.12 IN.	52.97 IN.	20	122	31-FT20-31	31-FT20-41
31-FT20-03	STABILIGRIP	3	138.16 IN.	68.12 IN.	52.97 IN.	20	122	31-FT20-31	31-FT20-41

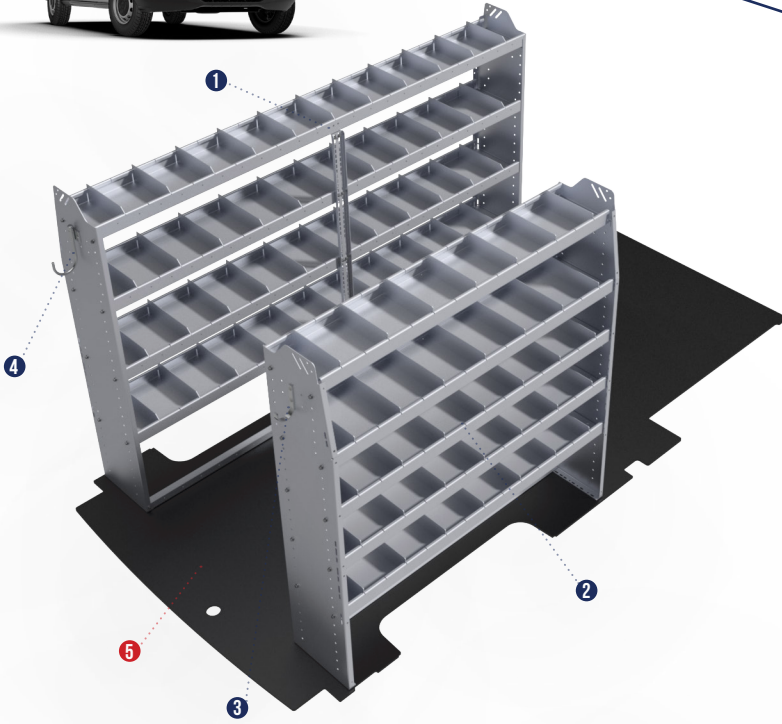
TRADE PACKAGES

FORD TRANSIT 148" WHEELBASE MEDIUM ROOF



60-FT22-C1

CONTRACTOR
PACKAGE



#	QTY	PART NUMBER	DESCRIPTION
1	1	21-9363-4	PROFILED BACK SHELF UNIT 96" WIDE X 13.5" DEEP X 63" HIGH WITH 4 SHELVES
2	1	21-6363-5	PROFILED BACK SHELF UNIT 60" WIDE X 13.5" DEEP X 63" HIGH WITH 5 SHELVES
3	1	30-HK-FMD	FIXED MEDIUM HOOK (3" OPENING)
4	1	30-HK-SMD	SWIVEL MEDIUM HOOK (4" OPENING)
OPTIONS			
5	1	31-FT20-XX	--OPTIONAL-- SEE VEHICLE SPECIFIC RIGID FLOORING SYSTEMS SECTION



214



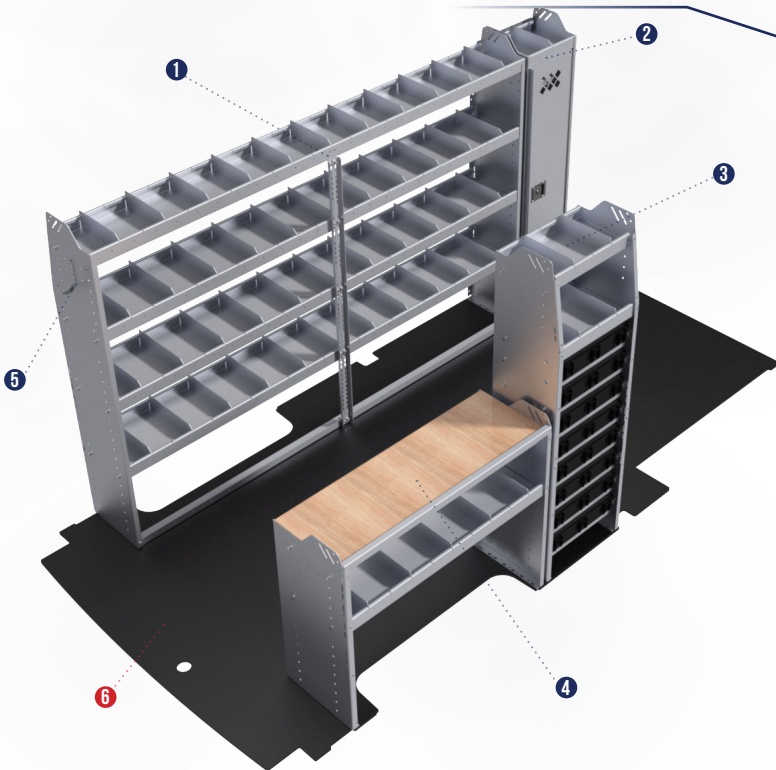
3.7



YES

60-FT22-E1

ELECTRICAL
PACKAGE



#	QTY	PART NUMBER	DESCRIPTION
1	1	21-9363-4	PROFILED BACK SHELF UNIT 96" WIDE X 13.5" DEEP X 63" HIGH WITH 4 SHELVES
2	1	13-1363-3	PROFILED BACK LOCKER CABINET 14" WIDE X 13.5" DEEP X 63" HIGH WITH 3 SHELVES AND 2 HOOKS AND HANG ROD
3	1	15-1363-8	PROFILED BACK CARRY CASE CABINET 18-7/8" WIDE X 13.5" DEEP X 63" HIGH WITH 8 CARRYCASES
4	1	18-4536-1W	WORKBENCH 43" WIDE X 15.5" DEEP X 36" HIGH WITH 1 STANDARD DIVIDER SHELF AND A 1.5" THICK HARDWOOD WORKTOP
5	1	30-HK-FMD	FIXED MEDIUM HOOK (3" OPENING)
OPTIONS			
6	1	31-FT20-XX	--OPTIONAL-- SEE VEHICLE SPECIFIC RIGID FLOORING SYSTEMS SECTION



332

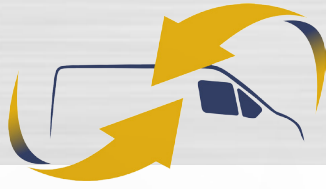


4.9



YES

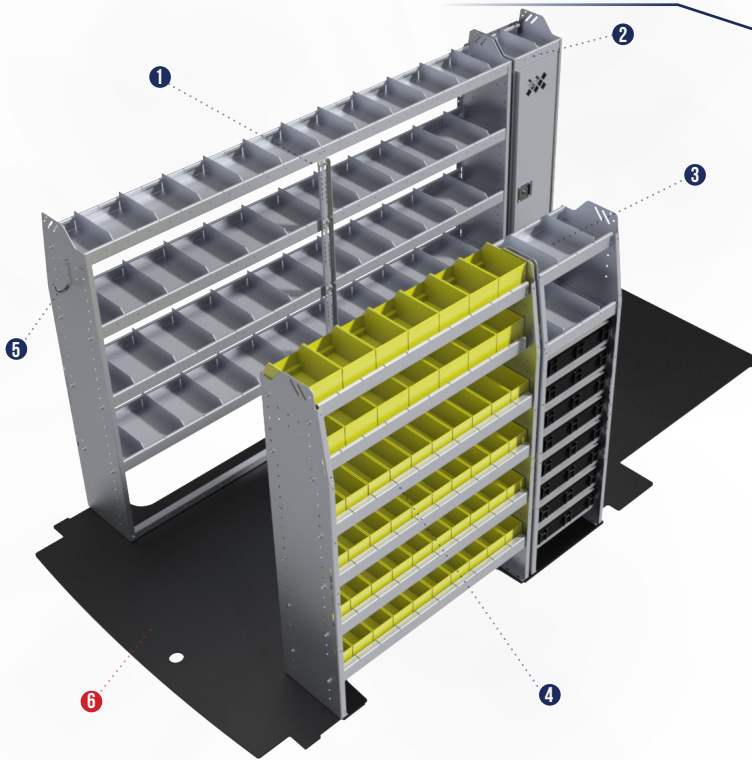
TRADE PACKAGES



FORD TRANSIT 148" WHEELBASE MEDIUM ROOF

60-FT22-S1

SERVICE PACKAGE



#	QTY	PART NUMBER	DESCRIPTION
1	1	21-9363-4	PROFILED BACK SHELF UNIT 96"WIDE X 13.5"DEEP X 63"HIGH WITH 4 SHELVES
2	1	13-1363-3	PROFILED BACK LOCKER CABINET 14"WIDE X 13.5"DEEP X 63"HIGH WITH 3 SHELVES AND 2 HOOKS AND HANG ROD
3	1	15-1363-8	PROFILED BACK CARRY CASE CABINET 18-7/8"WIDE X 13.5"DEEP X 63"HIGH WITH 8 CARRYCASES
4	1	23-4363-6	PROFILED BACK BIN SHELF UNIT 43"WIDE X 13.5"DEEP X 63"HIGH WITH 6 SHELVES
5	1	30-HK-FMD	FIXED MEDIUM HOOK (3" OPENING)
OPTIONS			
6	1	31-FT20-XX	--OPTIONAL-- SEE VEHICLE SPECIFIC RIGID FLOORING SYSTEMS SECTION

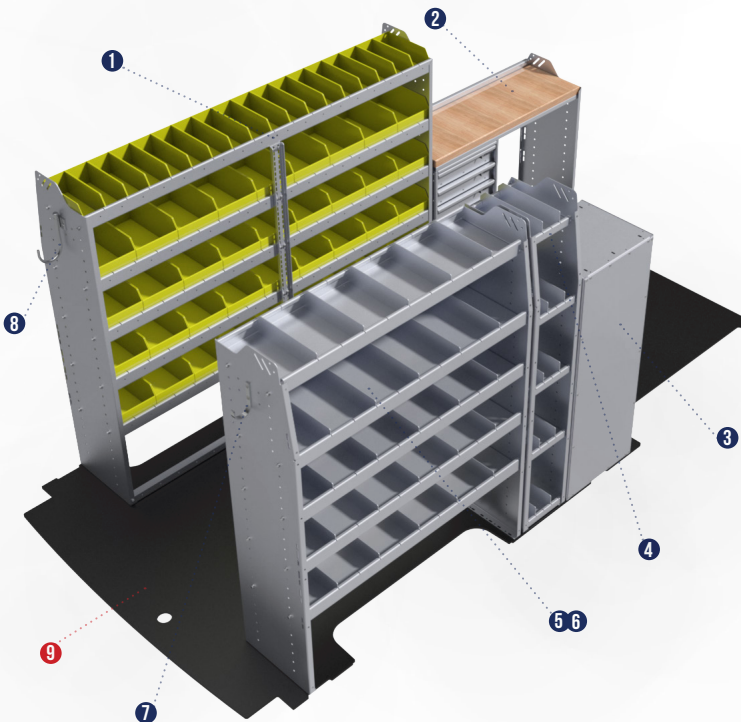
362

4.3

YES

60-FT22-W1

WORKSTATION PACKAGE



#	QTY	PART NUMBER	DESCRIPTION
1	1	23-7563-5	PROFILED BACK BIN SHELF UNIT 77.750"WIDE X 15.5"DEEP X 63"HIGH WITH 5 SHELVES
2	1	18-4536-LD	WORKBENCH 43"WIDE X 15.5"DEEP X 30"HIGH WITH A 6 DRAWER UNIT ON LEFT HAND SIDE
3	1	16-1548-332	TOOL DRAWER 18" WIDE X 15.5" DEEP X 47-11/16" HIGH WITH 8 DRAWERS
4	1	29-1563-5	PROFILED BACK BOOKSHELF, 11"WIDE X 15.5"DEEP X 63"HIGH WITH 5 SHELVES
5	1	21-4563-5	PROFILED BACK SHELF UNIT 48"WIDE X 15.5"DEEP X 63"HIGH WITH 5 SHELVES
6	2	DO-148	LOCKING DOOR FOR 48"WIDE SHELVING UNIT
7	1	30-HK-FMD	FIXED MEDIUM HOOK (3" OPENING)
8	1	30-HK-SMD	SWIVEL MEDIUM HOOK (4" OPENING)
OPTIONS			
9	1	31-FT20-XX	--OPTIONAL-- SEE VEHICLE SPECIFIC RIGID FLOORING SYSTEMS SECTION

388

7.1

YES

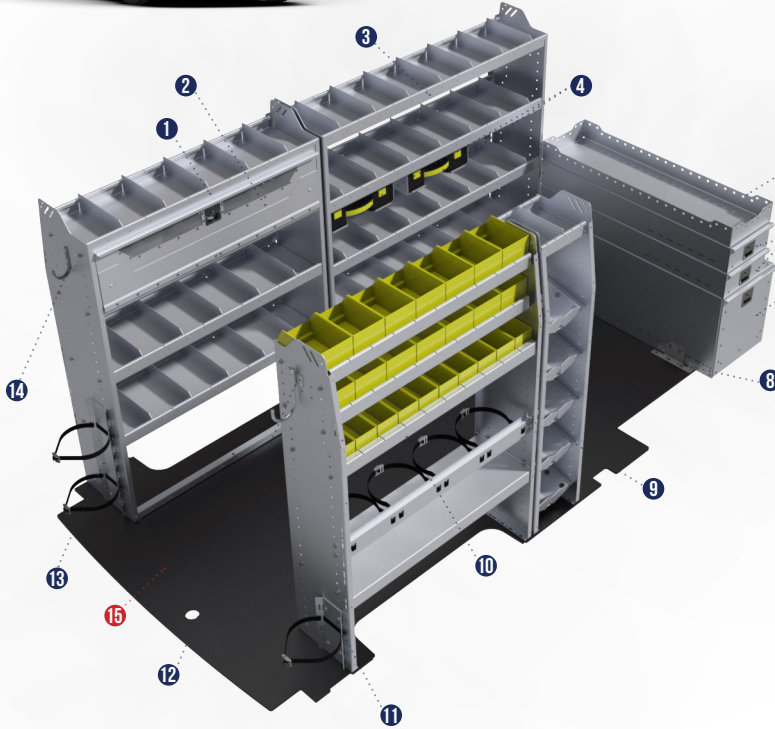
TRADE PACKAGES

FORD TRANSIT 148" WHEELBASE MEDIUM ROOF



60-FT22-H1

HVAC PACKAGE



#	QTY	PART NUMBER	DESCRIPTION
1	1	21-4563-4	PROFILED BACK SHELF UNIT 48"WIDE X 15.5"DEEP X 63"HIGH WITH 4 SHELVES
2	1	DO-148	LOCKING DOOR FOR 48"WIDE SHELVING UNIT
3	1	21-6563-4	PROFILED BACK SHELF UNIT 60"WIDE X 15.5"DEEP X 63"HIGH WITH 4 SHELVES
4	2	30-CCH-SK	UNDER SHELF CARRY CASE HOLDER W/CASE
5	1	30-TE-34	TOP EDGE FOR DRAWER CABINET 13.5" WIDE X 48" DEEP
6	2	11-3406-0	DRAWER CABINET 13.5"WIDE X 48"DEEP X 6"HIGH
7	1	11-8420-0	DRAWER CABINET 18"WIDE X 48"DEEP X 20"HIGH
8	1	30-FH-8	18" WIDE DRAWER BOLT DOWN BRACKET
9	1	33-S363-5	PROFILED BACK REFRIGERANT SHELF UNIT 12.45"WIDE X 13.5"DEEP X 63"HIGH FOR 5 SMALL BOTTLES
10	1	37-4363-4	PROFILED BACK REFRIGERANT BIN UNIT 43"WIDE X 13.5"DEEP X 63"HIGH WITH 3 SHELVES
11	1	30-BH-SM	SMALL BOTTLE HOLDER
12	1	30-HK-SMD	SWIVEL MEDIUM HOOK (4" OPENING)
13	1	30-BH-LG	LARGE BOTTLE HOLDER
14	1	30-HK-FMD	FIXED MEDIUM HOOK (3" OPENING)
15	1	31-FT20-XX	--OPTIONAL-- SEE VEHICLE SPECIFIC RIGID FLOORING SYSTEMS SECTION



445



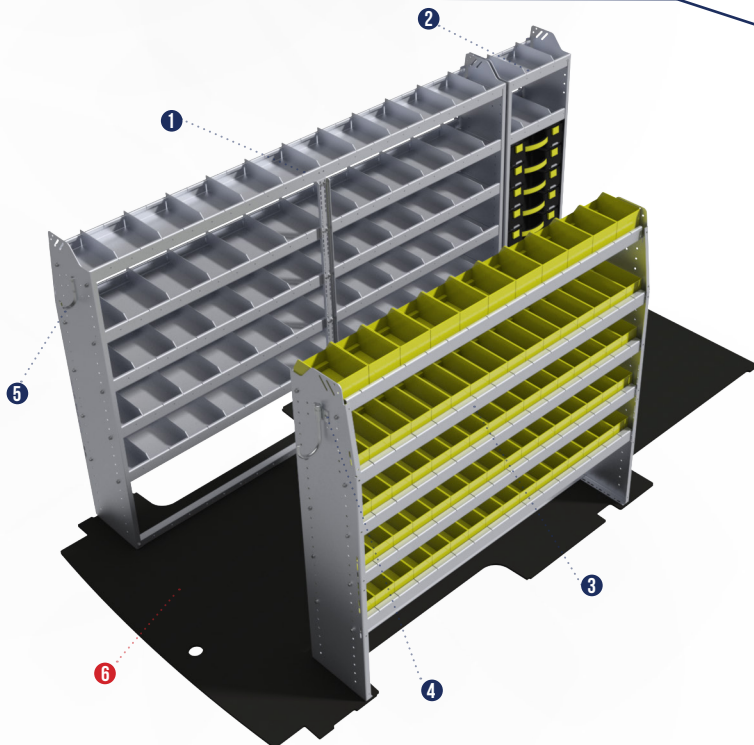
7.4



YES

60-FT22-P1

PLUMBING PACKAGE



#	QTY	PART NUMBER	DESCRIPTION
1	1	21-9363-5	PROFILED BACK SHELF UNIT 96"WIDE X 13.5"DEEP X 63"HIGH WITH 5 SHELVES
2	1	15-1363-8	PROFILED BACK CARRY CASE CABINET 18-7/8"WIDE X 13.5"DEEP X 63"HIGH WITH 8 CARRYCASES
3	1	23-6363-5	PROFILED BACK BIN SHELF UNIT 69.125"WIDE X 13.5"DEEP X 63"HIGH WITH 5 SHELVES
4	1	30-HK-SMD	SWIVEL MEDIUM HOOK (4" OPENING)
5	1	30-HK-FMD	FIXED MEDIUM HOOK (3" OPENING)

OPTIONS

6	1	31-FT22-XX	--OPTIONAL-- SEE VEHICLE SPECIFIC RIGID FLOORING SYSTEMS SECTION
---	---	------------	--



360



4.7



YES

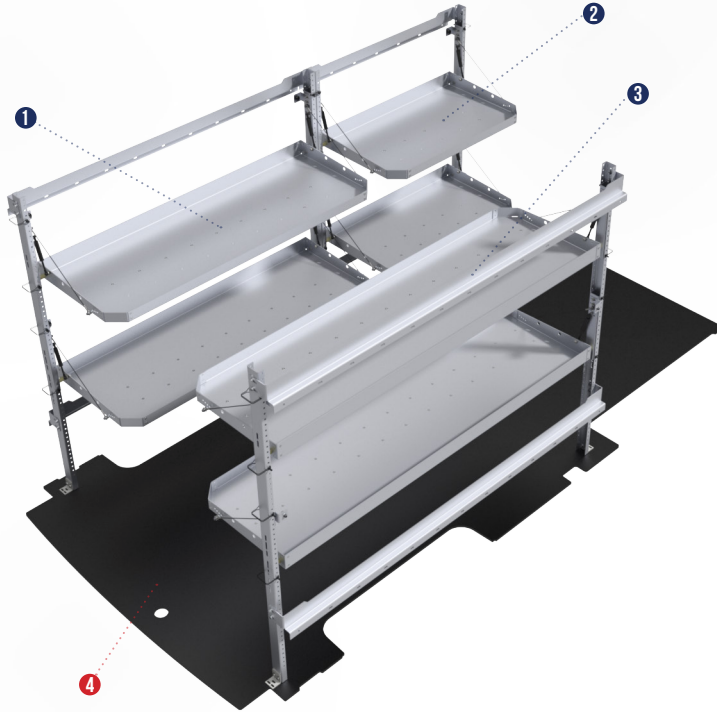
TRADE PACKAGES



FORD TRANSIT 148" WHEELBASE MEDIUM ROOF

60-FT22-D1

DELIVERY PACKAGE



#	QTY	PART NUMBER	DESCRIPTION
1	1	26-6063-02	2 LEVEL FOLD-UP SHELVING UNIT, 63" WIDE X 21" DEEP X 63" HIGH
2	1	26-4063-02	2 LEVEL FOLD-UP SHELVING UNIT, 41" WIDE X 21" DEEP X 63" HIGH
3	1	26-7063-02	2 LEVEL FOLD-UP SHELVING UNIT, 77" WIDE X 21" DEEP X 63" HIGH

OPTIONS

4	1	31-FT20-XX	--OPTIONAL-- SEE VEHICLE SPECIFIC RIGID FLOORING SYSTEMS SECTION
---	---	------------	--



175



4.1



YES

RIGID FLOORING OPTIONS FOR FORD TRANSIT 148" WB



ULTRAFLOOR

RIGID 1/2" thick 100% recycled plastic composite. Extremely rigid floor is the most durable in its class. Long life, enduring extreme temperatures to avoid cracking and splitting. Non-porous surface is liquid resistant to eliminate bacteria and mold formation. Heavy-duty protection adds to end-of-lease resale value. For use under the harshest conditions including forklift loading.



ULTRAGRIP

ANTI-SLIP, rigid 1/2" thick 100% rubber coated composite plastic. The most anti-slip rigid floor in its class. Non-porous surface is liquid resistant to eliminate bacteria and mold formation. Heavy-duty protection adds to end-of-lease resale value with added benefit of non-slip surface.



STABILIGRIP

STABLE. It is one of the only dimensional stable composite floors available on the market for cargo vehicles. It is engineered to endure all climates and temperatures without bulging or buckling. Stabiligrip is extremely durable, impact resilient, moisture resistant, rot proof, and anti-slip.

PART NUMBER	FLOOR MODEL	# PIECES	TOTAL LENGTH	TOTAL WIDTH	BETWEEN WHEELHOUSES	INSTALL (MIN.)	WEIGHT (LBS.)	OPTIONS	
								SIDE SILL	REAR SILL
31-FT20-12	ULTRAFLOOR	2	138.16 IN.	68.12 IN.	52.97 IN.	20	98	31-FT20-31	31-FT20-41
31-FT20-13	ULTRAFLOOR	3	138.16 IN.	68.12 IN.	52.97 IN.	20	98	31-FT20-31	31-FT20-41
31-FT20-22	ULTRAGRIP	2	138.16 IN.	68.12 IN.	52.97 IN.	20	111	31-FT20-31	31-FT20-41
31-FT20-23	ULTRAGRIP	3	138.16 IN.	68.12 IN.	52.97 IN.	20	111	31-FT20-31	31-FT20-41
31-FT20-02	STABILIGRIP	2	138.16 IN.	68.12 IN.	52.97 IN.	20	122	31-FT20-31	31-FT20-41
31-FT20-03	STABILIGRIP	3	138.16 IN.	68.12 IN.	52.97 IN.	20	122	31-FT20-31	31-FT20-41

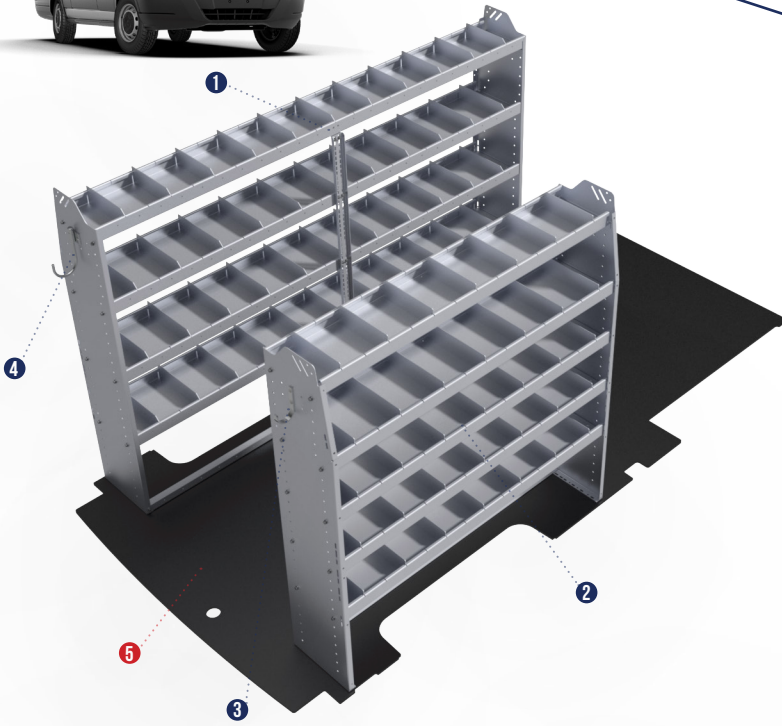
TRADE PACKAGES

FORD TRANSIT 148" WHEELBASE HIGH ROOF



60-FT23-C1

CONTRACTOR PACKAGE



#	QTY	PART NUMBER	DESCRIPTION
1	1	21-9363-4	PROFILED BACK SHELF UNIT 96" WIDE X 13.5" DEEP X 63" HIGH WITH 4 SHELVES
2	1	21-6363-5	PROFILED BACK SHELF UNIT 60" WIDE X 13.5" DEEP X 63" HIGH WITH 5 SHELVES
3	1	30-HK-FMD	FIXED MEDIUM HOOK (3" OPENING)
4	1	30-HK-SMD	SWIVEL MEDIUM HOOK (4" OPENING)
OPTIONS			
5	1	31-FT20-XX	--OPTIONAL-- SEE VEHICLE SPECIFIC RIGID FLOORING SYSTEMS SECTION



214



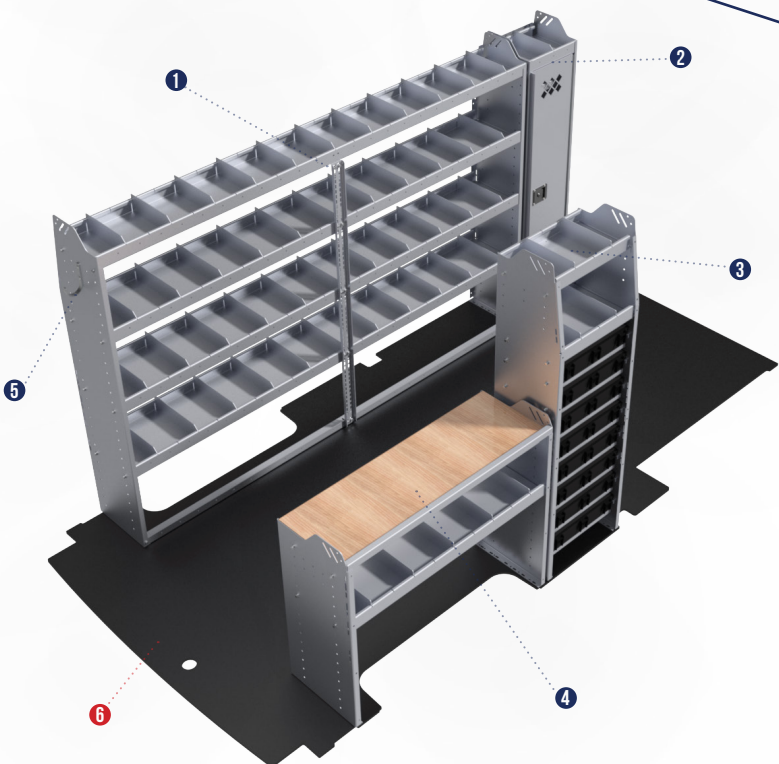
3.7



YES

60-FT23-E1

ELECTRICAL PACKAGE



#	QTY	PART NUMBER	DESCRIPTION
1	1	21-9363-4	PROFILED BACK SHELF UNIT 96" WIDE X 13.5" DEEP X 63" HIGH WITH 4 SHELVES
2	1	13-1363-3	PROFILED BACK LOCKER CABINET 14" WIDE X 13.5" DEEP X 63" HIGH WITH 3 SHELVES AND 2 HOOKS AND HANG ROD
3	1	15-1363-8	PROFILED BACK CARRY CASE CABINET 18-7/8" WIDE X 13.5" DEEP X 63" HIGH WITH 8 CARRYCASES
4	1	18-4536-1W	WORKBENCH 43" WIDE X 15.5" DEEP X 36" HIGH WITH 1 STANDARD DIVIDER SHELF AND A 1.5" THICK HARDWOOD WORKTOP
5	1	30-HK-FMD	FIXED MEDIUM HOOK (3" OPENING)
OPTIONS			
6	1	31-FT20-XX	--OPTIONAL-- SEE VEHICLE SPECIFIC RIGID FLOORING SYSTEMS SECTION



332



4.9



YES

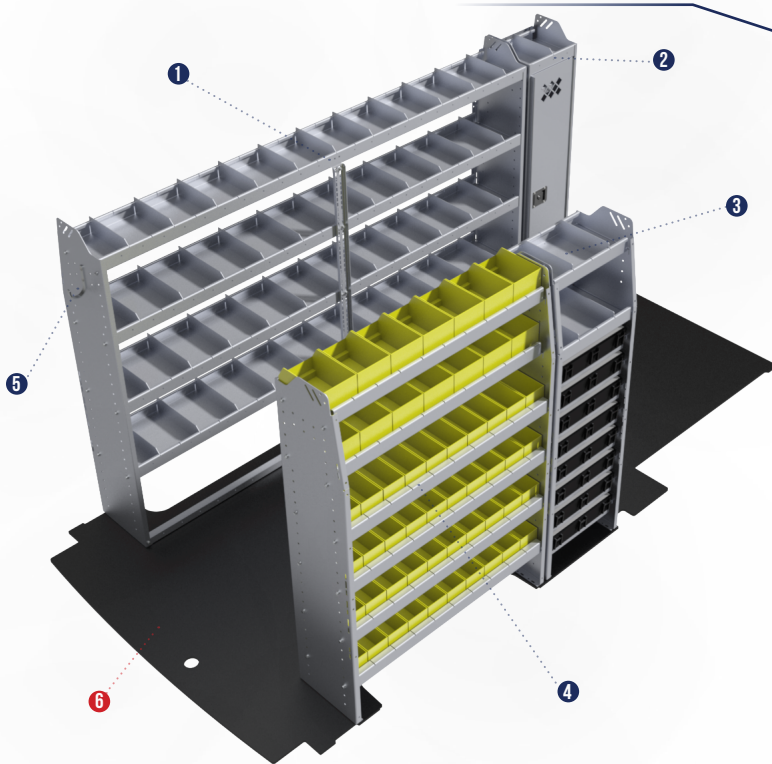
TRADE PACKAGES



FORD TRANSIT 148" WHEELBASE HIGH ROOF

60-FT23-S1

SERVICE PACKAGE

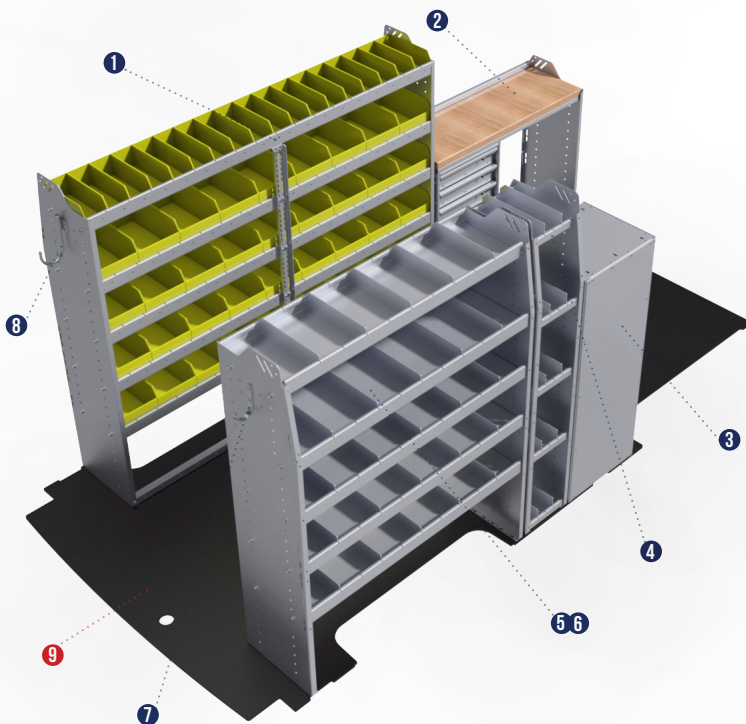


#	QTY	PART NUMBER	DESCRIPTION
1	1	21-9363-4	PROFILED BACK SHELF UNIT 96" WIDE X 13.5" DEEP X 63" HIGH WITH 4 SHELVES
2	1	13-1363-3	PROFILED BACK LOCKER CABINET 14" WIDE X 13.5" DEEP X 63" HIGH WITH 3 SHELVES AND 2 HOOKS AND HANG ROD
3	1	15-1363-8	PROFILED BACK CARRY CASE CABINET 18-7/8" WIDE X 13.5" DEEP X 63" HIGH WITH 8 CARRYCASES
4	1	23-4363-6	PROFILED BACK BIN SHELF UNIT 43" WIDE X 13.5" DEEP X 63" HIGH WITH 6 SHELVES
5	1	30-HK-FMD	FIXED MEDIUM HOOK (3" OPENING)
OPTIONS			
6	1	31-FT20-XX	--OPTIONAL-- SEE VEHICLE SPECIFIC RIGID FLOORING SYSTEMS SECTION



60-FT23-W1

WORKSTATION PACKAGE



#	QTY	PART NUMBER	DESCRIPTION
1	1	23-7563-5	PROFILED BACK BIN SHELF UNIT 77.750" WIDE X 15.5" DEEP X 63" HIGH WITH 5 SHELVES
2	1	18-4536-LD	WORKBENCH 43" WIDE X 15.5" DEEP X 30" HIGH WITH A 6 DRAWER UNIT ON LEFT HAND SIDE
3	1	16-1548-332	TOOL DRAWER 18" WIDE X 15.5" DEEP X 47-11/16" HIGH WITH 8 DRAWERS
4	1	29-1563-5	PROFILED BACK BOOKSHELF, 11" WIDE X 15.5" DEEP X 63" HIGH WITH 5 SHELVES
5	1	21-4563-5	PROFILED BACK SHELF UNIT 48" WIDE X 15.5" DEEP X 63" HIGH WITH 5 SHELVES
6	2	DO-148	LOCKING DOOR FOR 48" WIDE SHELVING UNIT
7	1	30-HK-FMD	FIXED MEDIUM HOOK (3" OPENING)
8	1	30-HK-SMD	SWIVEL MEDIUM HOOK (4" OPENING)
OPTIONS			
9	1	31-FT20-XX	--OPTIONAL-- SEE VEHICLE SPECIFIC RIGID FLOORING SYSTEMS SECTION



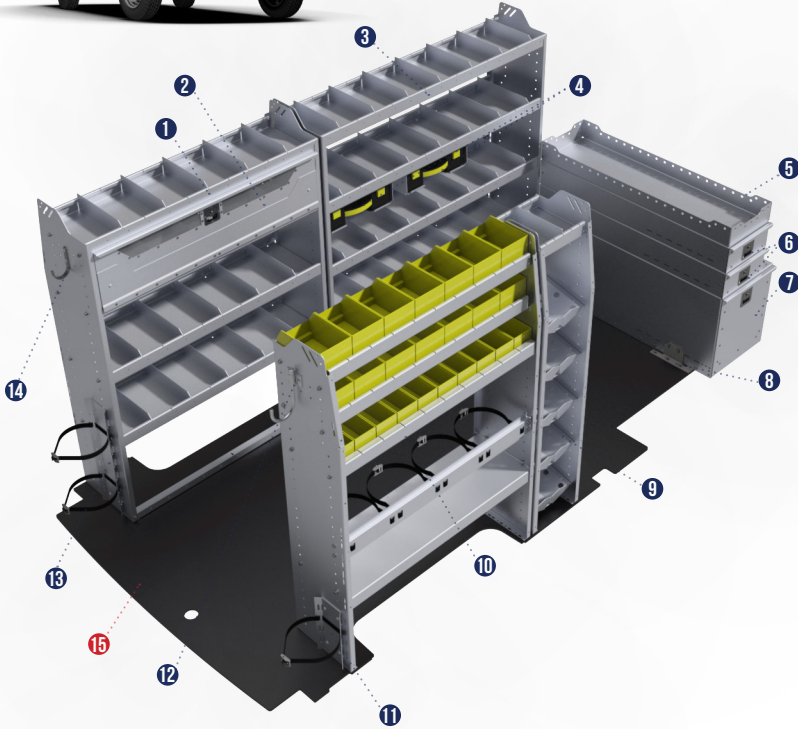
TRADE PACKAGES

FORD TRANSIT 148" WHEELBASE HIGH ROOF



60-FT23-H1

HVAC PACKAGE



#	QTY	PART NUMBER	DESCRIPTION
1	1	21-4563-4	PROFILED BACK SHELF UNIT 48"WIDE X 15.5"DEEP X 63"HIGH WITH 4 SHELVES
2	1	DO-148	LOCKING DOOR FOR 48"WIDE SHELVING UNIT
3	1	21-6563-4	PROFILED BACK SHELF UNIT 60"WIDE X 15.5"DEEP X 63"HIGH WITH 4 SHELVES
4	2	30-CCH-SK	UNDER SHELF CARRY CASE HOLDER W/CASE
5	1	30-TE-34	TOP EDGE FOR DRAWER CABINET 13.5" WIDE X 48" DEEP
6	2	11-3406-0	DRAWER CABINET 13.5"WIDE X 48"DEEP X 6"HIGH
7	1	11-8420-0	DRAWER CABINET 18"WIDE X 48"DEEP X 20"HIGH
8	1	30-FH-8	18" WIDE DRAWER BOLT DOWN BRACKET
9	1	33-S363-5	PROFILED BACK REFRIGERANT SHELF UNIT 12.45"WIDE X 13.5"DEEP X 63"HIGH FOR 5 SMALL BOTTLES
10	1	37-4363-4	PROFILED BACK REFRIGERANT BIN UNIT 43"WIDE X 13.5"DEEP X 63"HIGH WITH 3 SHELVES
11	1	30-BH-SM	SMALL BOTTLE HOLDER
12	1	30-HK-SMD	SWIVEL MEDIUM HOOK (4" OPENING)
13	1	30-BH-LG	LARGE BOTTLE HOLDER
14	1	30-HK-FMD	FIXED MEDIUM HOOK (3" OPENING)
15	1	31-FT20-XX	--OPTIONAL-- SEE VEHICLE SPECIFIC RIGID FLOORING SYSTEMS SECTION



445



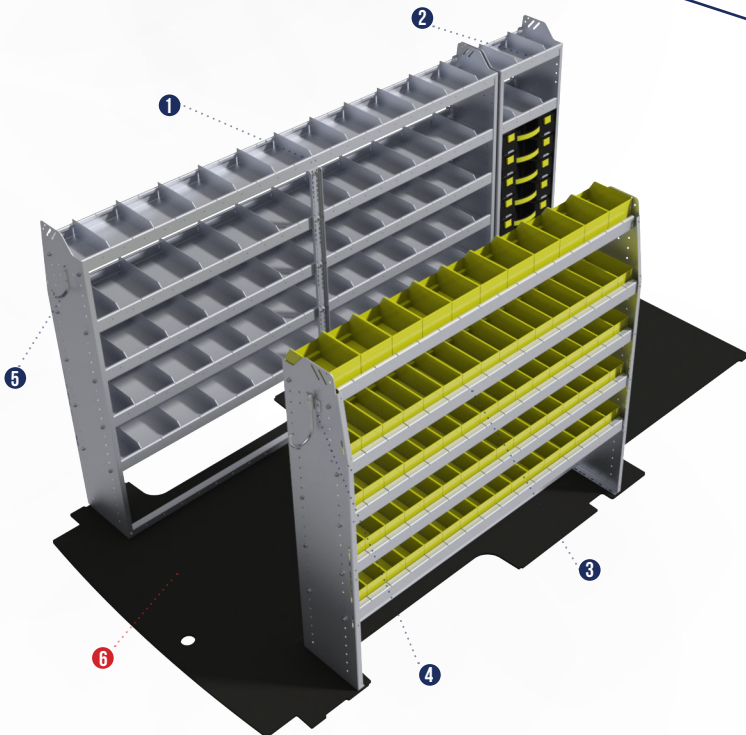
7.4



YES

60-FT23-P1

PLUMBING PACKAGE



#	QTY	PART NUMBER	DESCRIPTION
1	1	21-9363-5	PROFILED BACK SHELF UNIT 96"WIDE X 13.5"DEEP X 63"HIGH WITH 5 SHELVES
2	1	15-1363-8	PROFILED BACK CARRY CASE CABINET 18-7/8"WIDE X 13.5"DEEP X 63"HIGH WITH 8 CARRYCASES
3	1	23-6363-5	PROFILED BACK BIN SHELF UNIT 69.125"WIDE X 13.5"DEEP X 63"HIGH WITH 5 SHELVES
4	1	30-HK-SMD	SWIVEL MEDIUM HOOK (4" OPENING)
5	1	30-HK-FMD	FIXED MEDIUM HOOK (3" OPENING)
OPTIONS			
6	1	31-FT20-XX	--OPTIONAL-- SEE VEHICLE SPECIFIC RIGID FLOORING SYSTEMS SECTION



360



4.7



YES

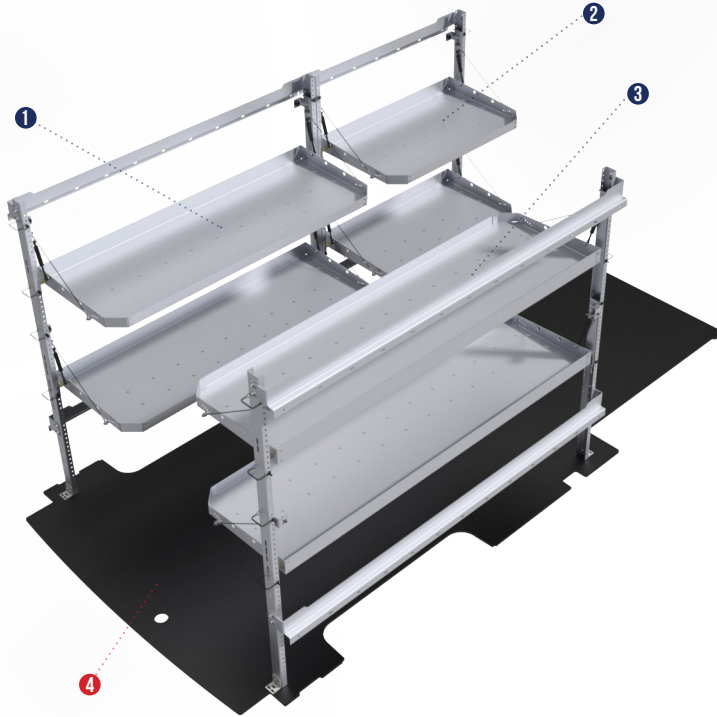
TRADE PACKAGES



FORD TRANSIT 148" WHEELBASE HIGH ROOF

60-FT23-D1

DELIVERY PACKAGE



#	QTY	PART NUMBER	DESCRIPTION
1	1	26-6063-02	2 LEVEL FOLD-UP SHELVING UNIT, 63" WIDE X 21" DEEP X 63" HIGH
2	1	26-4063-02	2 LEVEL FOLD-UP SHELVING UNIT, 41" WIDE X 21" DEEP X 63" HIGH
3	1	26-7063-02	2 LEVEL FOLD-UP SHELVING UNIT, 77" WIDE X 21" DEEP X 63" HIGH

OPTIONS

4	1	31-FT20-XX	--OPTIONAL-- SEE VEHICLE SPECIFIC RIGID FLOORING SYSTEMS SECTION
---	---	------------	--



175

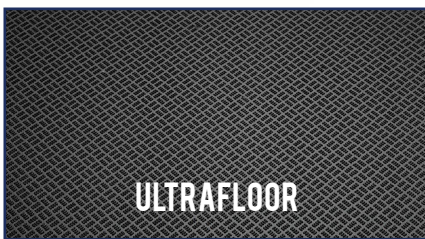


4.1



YES

RIGID FLOORING OPTIONS FOR FORD TRANSIT 148" WB



ULTRAFLOOR

RIGID 1/2" thick 100% recycled plastic composite. Extremely rigid floor is the most durable in its class. Long life, enduring extreme temperatures to avoid cracking and splitting. Non-porous surface is liquid resistant to eliminate bacteria and mold formation. Heavy-duty protection adds to end-of-lease resale value. For use under the harshest conditions including forklift loading.



ULTRAGRIP

ANTI-SLIP, rigid 1/2" thick 100% rubber coated composite plastic. The most anti-slip rigid floor in its class. Non-porous surface is liquid resistant to eliminate bacteria and mold formation. Heavy-duty protection adds to end-of-lease resale value with added benefit of non-slip surface.

NEW PRODUCT



STABILIGRIP

STABLE. It is one of the only dimensional stable composite floors available on the market for cargo vehicles. It is engineered to endure all climates and temperatures without bulging or buckling. StabiliGrip is extremely durable, impact resilient, moisture resistant, rot proof, and anti-slip.

PART NUMBER	FLOOR MODEL	# PIECES	TOTAL LENGTH	TOTAL WIDTH	BETWEEN WHEELHOUSES	INSTALL (MIN.)	WEIGHT (LBS.)	OPTIONS	
								SIDE SILL	REAR SILL
31-FT20-12	ULTRAFLOOR	2	138.16 IN.	68.12 IN.	52.97 IN.	20	98	31-FT20-31	31-FT20-41
31-FT20-13	ULTRAFLOOR	3	138.16 IN.	68.12 IN.	52.97 IN.	20	98	31-FT20-31	31-FT20-41
31-FT20-22	ULTRAGRIP	2	138.16 IN.	68.12 IN.	52.97 IN.	20	111	31-FT20-31	31-FT20-41
31-FT20-23	ULTRAGRIP	3	138.16 IN.	68.12 IN.	52.97 IN.	20	111	31-FT20-31	31-FT20-41
31-FT20-02	STABILIGRIP	2	138.16 IN.	68.12 IN.	52.97 IN.	20	122	31-FT20-31	31-FT20-41
31-FT20-03	STABILIGRIP	3	138.16 IN.	68.12 IN.	52.97 IN.	20	122	31-FT20-31	31-FT20-41

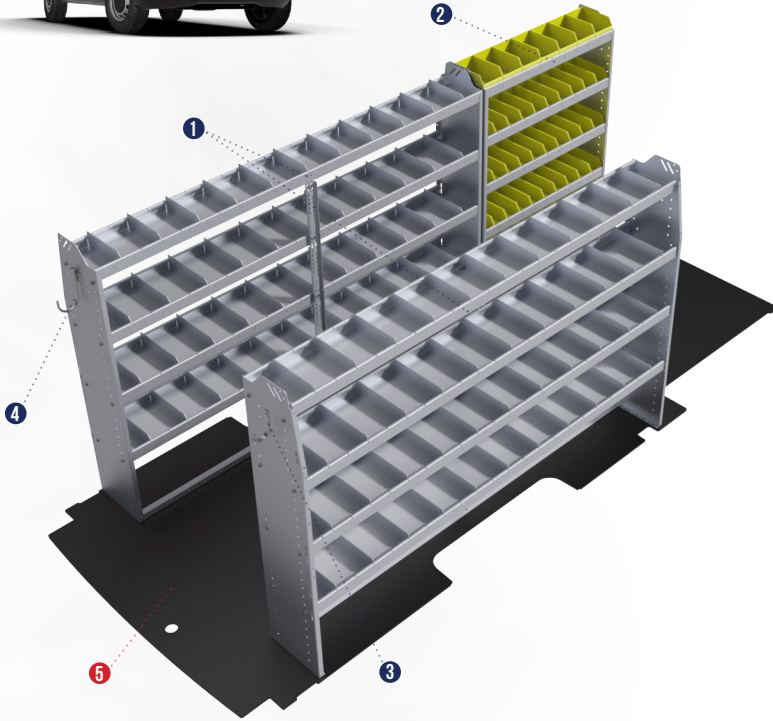
TRADE PACKAGES

FORD TRANSIT 148" EXT. WHEELBASE HIGH ROOF



60-FT33-C1

CONTRACTOR PACKAGE



#	QTY	PART NUMBER	DESCRIPTION
1	2	21-9363-4	PROFILED BACK SHELF UNIT 96" WIDE X 13.5" DEEP X 63" HIGH WITH 4 SHELVES
2	1	23-4363-5	PROFILED BACK BIN SHELF UNIT 43" WIDE X 13.5" DEEP X 63" HIGH WITH 5 SHELVES
3	1	30-HK-FMD	FIXED MEDIUM HOOK (3" OPENING)
4	1	30-HK-SMD	SWIVEL MEDIUM HOOK (4" OPENING)
OPTIONS			
5	1	31-FT30-XX	--OPTIONAL-- SEE VEHICLE SPECIFIC RIGID FLOORING SYSTEMS SECTION



328



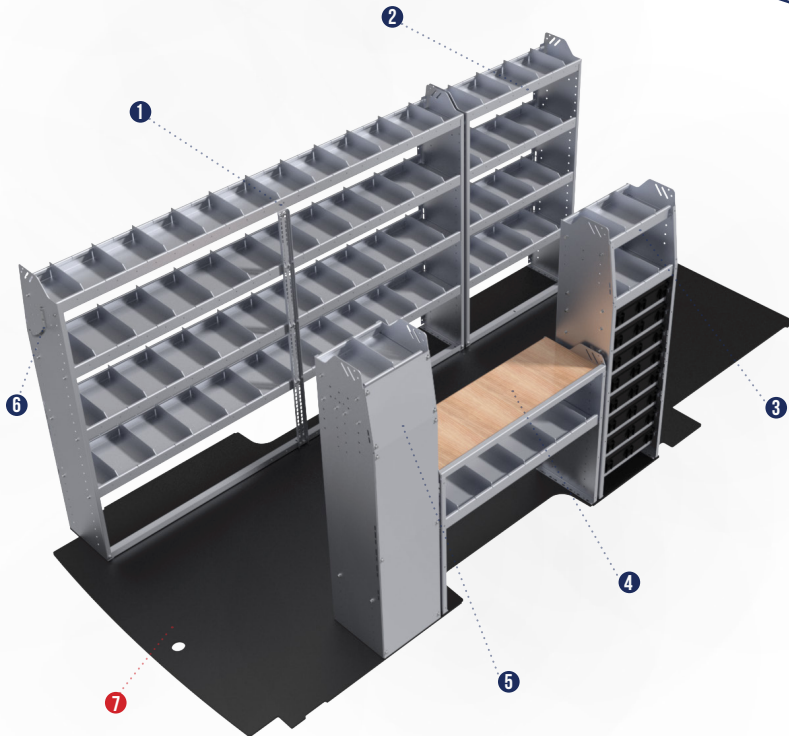
4.3



YES

60-FT33-E1

ELECTRICAL PACKAGE



#	QTY	PART NUMBER	DESCRIPTION
1	1	21-9363-4	PROFILED BACK SHELF UNIT 96" WIDE X 13.5" DEEP X 63" HIGH WITH 4 SHELVES
2	1	21-3363-4	PROFILED BACK SHELF UNIT 36" WIDE X 13.5" DEEP X 63" HIGH WITH 4 SHELVES
3	1	15-1363-8	PROFILED BACK CARRY CASE CABINET 18-7/8" WIDE X 13.5" DEEP X 63" HIGH WITH 8 CARRIES
4	1	18-4536-1W	WORKBENCH 43" WIDE X 15.5" DEEP X 36" HIGH WITH 1 STANDARD DIVIDER SHELF AND A 1.5" THICK HARDWOOD WORKTOP
5	1	13-1363-3	PROFILED BACK LOCKER CABINET 14" WIDE X 13.5" DEEP X 63" HIGH WITH 3 SHELVES AND 2 HOOKS AND HANG ROD
6	1	30-HK-FMD	FIXED MEDIUM HOOK (3" OPENING)
OPTIONS			
7	1	31-FT30-XX	--OPTIONAL-- SEE VEHICLE SPECIFIC RIGID FLOORING SYSTEMS SECTION



390

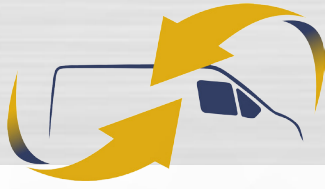


6.1



YES

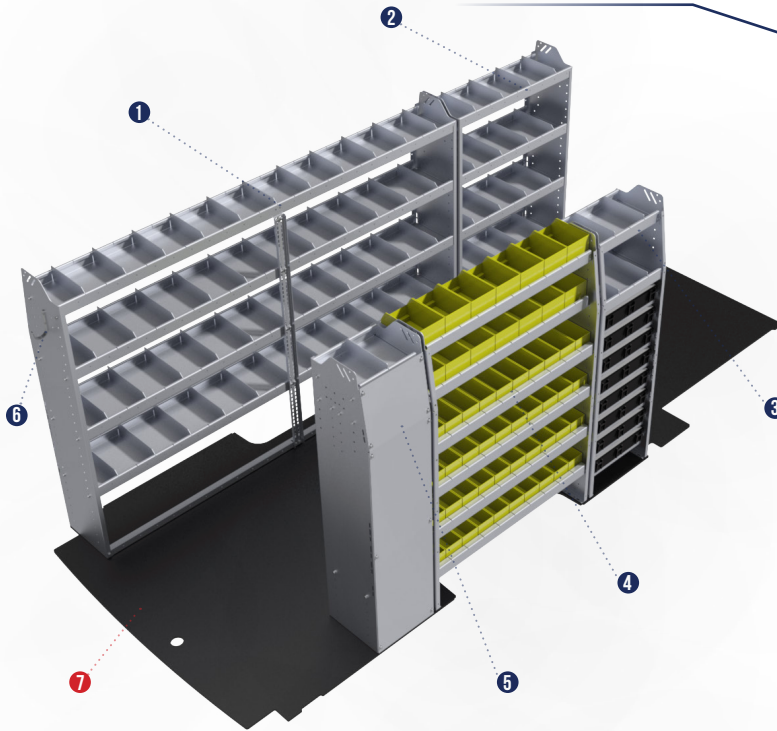
TRADE PACKAGES



FORD TRANSIT 148" EXT. WHEELBASE HIGH ROOF

60-FT33-S1

SERVICE PACKAGE



#	QTY	PART NUMBER	DESCRIPTION
1	1	21-9363-4	PROFILED BACK SHELF UNIT 96"WIDE X 13.5"DEEP X 63"HIGH WITH 4 SHELVES
2	1	21-3363-4	PROFILED BACK SHELF UNIT 36"WIDE X 13.5"DEEP X 63"HIGH WITH 4 SHELVES
3	1	15-1363-8	PROFILED BACK CARRY CASE CABINET 18-7/8"WIDE X 13.5"DEEP X 63"HIGH WITH 8 CARRYCASES
4	1	23-4363-6	PROFILED BACK BIN SHELF UNIT 43"WIDE X 13.5"DEEP X 63"HIGH WITH 6 SHELVES
5	1	13-1363-3	PROFILED BACK LOCKER CABINET 14"WIDE X 13.5"DEEP X 63"HIGH WITH 3 SHELVES AND 2 HOOKS AND HANG ROD
6	1	30-HK-FMD	FIXED MEDIUM HOOK (3" OPENING)
OPTIONS			
7	1	31-FT30-XX	--OPTIONAL-- SEE VEHICLE SPECIFIC RIGID FLOORING SYSTEMS SECTION

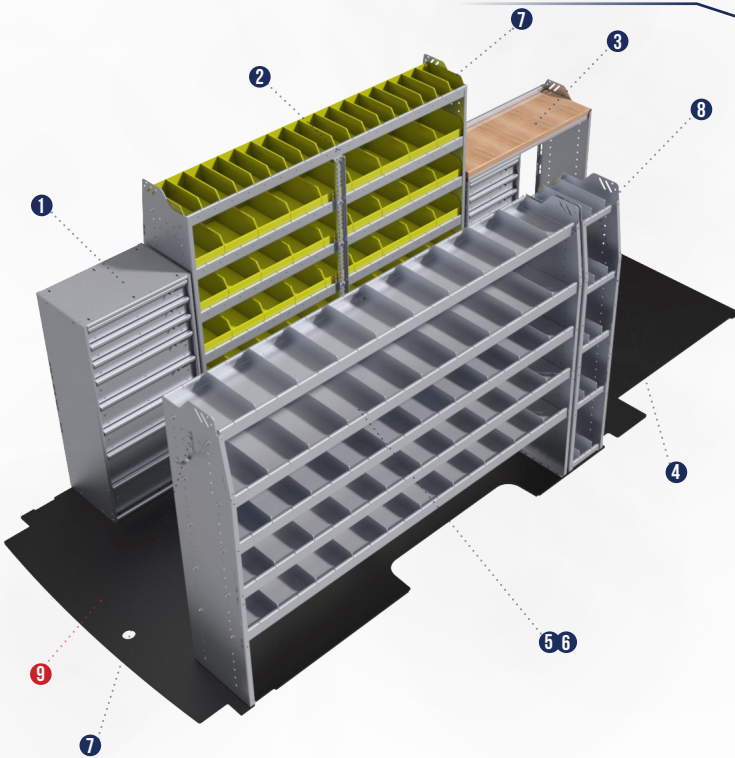
420

6.5

YES

60-FT33-W1

WORKSTATION PACKAGE



#	QTY	PART NUMBER	DESCRIPTION
1	1	16-2548-332	TOOL DRAWER 24" WIDE X 15.5" DEEP X 47-11/16" HIGH WITH 8 DRAWERS
2	1	23-7563-5	PROFILED BACK BIN SHELF UNIT 77.750"WIDE X 15.5"DEEP X 63"HIGH WITH 5 SHELVES
3	1	18-4536-LD	WORKBENCH 43"WIDE X 15.5"DEEP X 30"HIGH WITH A 6 DRAWER UNIT ON LEFT HAND SIDE
4	1	29-1563-5	PROFILED BACK BOOKSHELF, 11"WIDE X 15.5"DEEP X 63"HIGH WITH 5 SHELVES
5	1	21-8563-5	PROFILED BACK SHELF UNIT 84"WIDE X 15.5"DEEP X 63"HIGH WITH 5 SHELVES
6	1	DO-184	2-SET LOCKING DOOR KIT FOR 84" WIDE SHELVING UNIT
7	1	30-HK-FMD	FIXED MEDIUM HOOK (3" OPENING)
8	1	30-HK-SMD	SWIVEL MEDIUM HOOK (4" OPENING)
OPTIONS			
9	1	31-FT30-XX	--OPTIONAL-- SEE VEHICLE SPECIFIC RIGID FLOORING SYSTEMS SECTION

455

8.2

YES

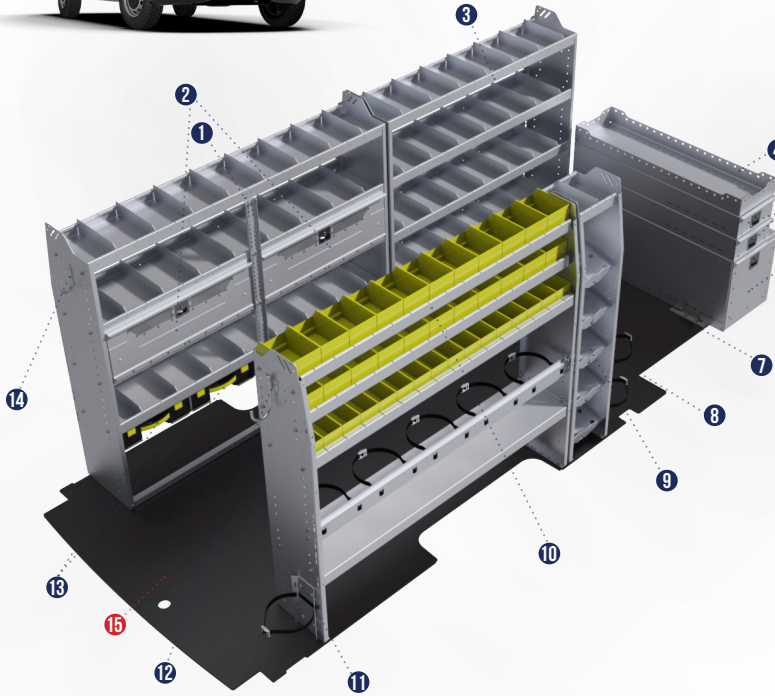
TRADE PACKAGES

FORD TRANSIT 148" EXT. WHEELBASE HIGH ROOF



60-FT33-H1

HVAC PACKAGE



#	QTY	PART NUMBER	DESCRIPTION
1	1	21-7563-4	PROFIED BACK SHELF UNIT 72" WIDE X 15.5" DEEP X 63" HIGH WITH 4 SHELVES
2	1	DO-172	2-SET LOCKING DOOR KIT FOR 72" WIDE SHELVING UNIT
3	1	21-6563-4	PROFIED BACK SHELF UNIT 60" WIDE X 15.5" DEEP X 63" HIGH WITH 4 SHELVES
4	1	30-TE-34	TOP EDGE FOR DRAWER CABINET 13.5" WIDE X 48" DEEP
5	2	11-3406-0	DRAWER CABINET 13.5" WIDE X 48" DEEP X 6" HIGH
6	1	11-8420-0	DRAWER CABINET 18" WIDE X 48" DEEP X 20" HIGH
7	1	30-FH-8	18" WIDE DRAWER BOLT DOWN BRACKET
8	1	30-BH-LG	LARGE BOTTLE HOLDER
9	1	33-S363-5	PROFIED BACK REFRIGERANT SHELF UNIT 12.45" WIDE X 13.5" DEEP X 63" HIGH FOR 5 SMALL BOTTLES
10	1	37-6363-4	PROFIED BACK REFRIGERANT BIN UNIT 69.125" WIDE X 13.5" DEEP X 63" HIGH WITH 3 SHELVES
11	1	30-BH-SM	SMALL BOTTLE HOLDER
12	1	30-HK-SMD	SWIVEL MEDIUM HOOK (4" OPENING)
13	2	30-CCH-SK	UNDER SHELF CARRY CASE HOLDER W/CASE
14	1	30-HK-FMD	FIXED MEDIUM HOOK (3" OPENING)
15	1	31-FT30-XX	--OPTIONAL-- SEE VEHICLE SPECIFIC RIGID FLOORING SYSTEMS SECTION



506



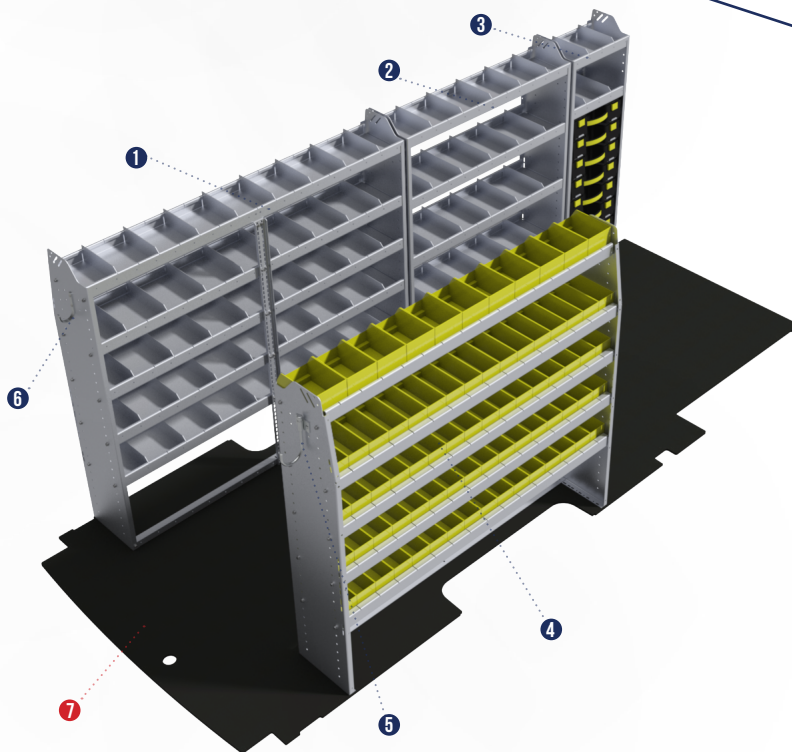
9.8



YES

60-FT33-P1

PLUMBING PACKAGE



#	QTY	PART NUMBER	DESCRIPTION
1	1	21-7363-5	PROFIED BACK SHELF UNIT 72" WIDE X 13.5" DEEP X 63" HIGH WITH 5 SHELVES
2	1	21-4363-4	PROFIED BACK SHELF UNIT 48" WIDE X 13.5" DEEP X 63" HIGH WITH 4 SHELVES
3	1	15-1363-8	PROFIED BACK CARRY CASE CABINET 18-7/8" WIDE X 13.5" DEEP X 63" HIGH WITH 8 CARRYCASES
4	1	23-6363-5	PROFIED BACK BIN SHELF UNIT 69.125" WIDE X 13.5" DEEP X 63" HIGH WITH 5 SHELVES
5	1	30-HK-SMD	SWIVEL MEDIUM HOOK (4" OPENING)
6	1	30-HK-FMD	FIXED MEDIUM HOOK (3" OPENING)
			OPTIONS
7	1	31-FT30-XX	--OPTIONAL-- SEE VEHICLE SPECIFIC RIGID FLOORING SYSTEMS SECTION



400

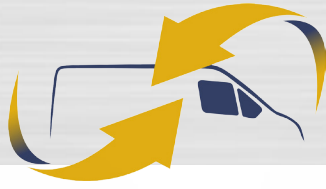


4.7



YES

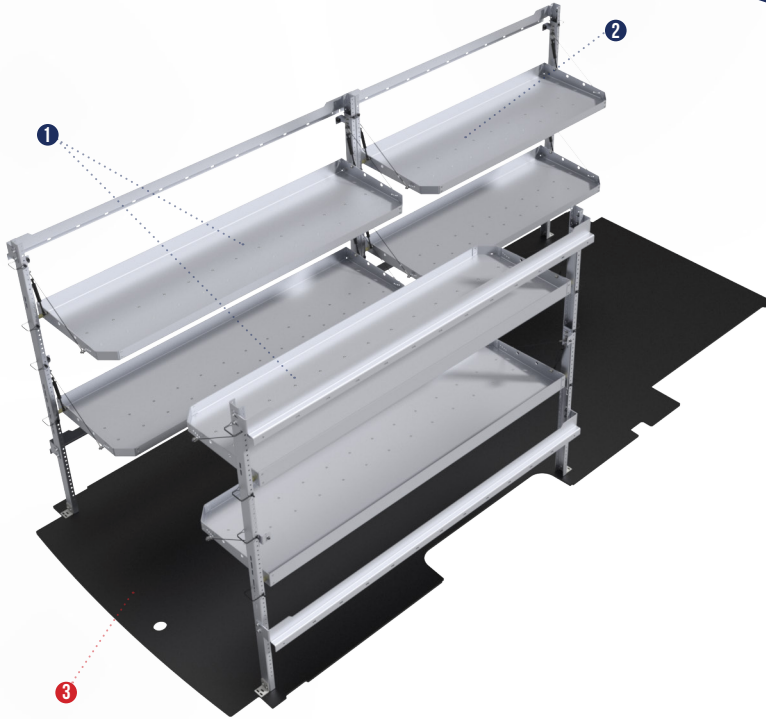
TRADE PACKAGES



FORD TRANSIT 148" EXT. WHEELBASE HIGH ROOF

60-FT33-D1

DELIVERY PACKAGE



#	QTY	PART NUMBER	DESCRIPTION
1	2	26-7063-02	2 LEVEL FOLD-UP SHELVING UNIT, 77" WIDE X 21" DEEP X 63" HIGH
2	1	26-6063-02	2 LEVEL FOLD-UP SHELVING UNIT, 63" WIDE X 21" DEEP X 63" HIGH
OPTIONS			
3	1	31-FT30-XX	--OPTIONAL-- SEE VEHICLE SPECIFIC RIGID FLOORING SYSTEMS SECTION



201

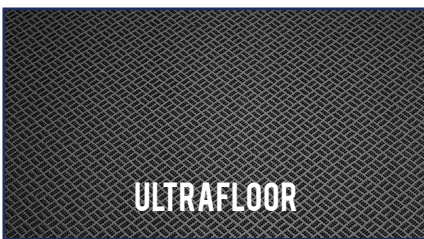


4.3



YES

RIGID FLOORING OPTIONS FOR FORD TRANSIT 148" EXT. WB



ULTRAFLOOR

RIGID 1/2" thick 100% recycled plastic composite. Extremely rigid floor is the most durable in its class. Long life, enduring extreme temperatures to avoid cracking and splitting. Non-porous surface is liquid resistant to eliminate bacteria and mold formation. Heavy-duty protection adds to end-of-lease resale value. For use under the harshest conditions including forklift loading.



ULTRAGRIP

ANTI-SLIP, rigid 1/2" thick 100% rubber coated composite plastic. The most anti-slip rigid floor in its class. Non-porous surface is liquid resistant to eliminate bacteria and mold formation. Heavy-duty protection adds to end-of-lease resale value with added benefit of non-slip surface.



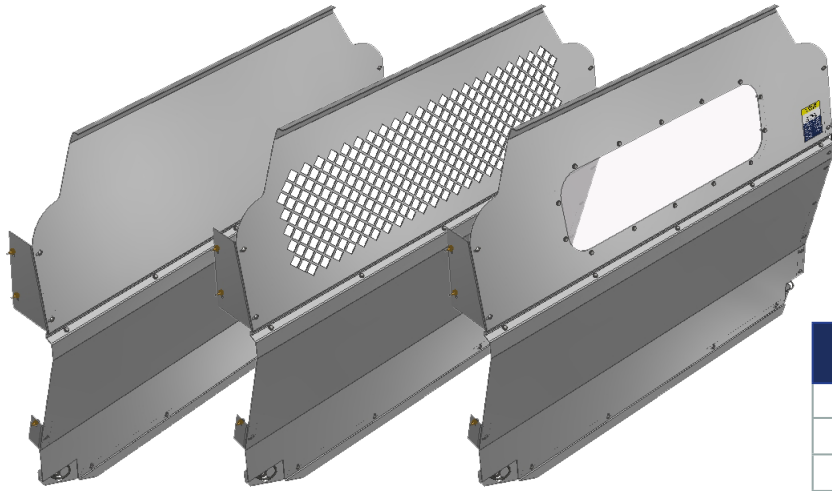
STABILIGRIP

STABLE. It is one of the only dimensional stable composite floors available on the market for cargo vehicles. It is engineered to endure all climates and temperatures without bulging or buckling. StabiliGrip is extremely durable, impact resilient, moisture resistant, rot proof, and anti-slip.

PART NUMBER	FLOOR MODEL	# PIECES	TOTAL LENGTH	TOTAL WIDTH	BETWEEN WHEELHOUSES	INSTALL (MIN.)	WEIGHT (LBS.)	OPTIONS	
								SIDE SILL	REAR SILL
31-FT30-12	ULTRAFLOOR	2	166.35 IN.	68.12 IN.	52.97 IN.	25	122	31-FT30-31	31-FT30-41
31-FT30-13	ULTRAFLOOR	3	166.35 IN.	68.12 IN.	52.97 IN.	25	122	31-FT30-31	31-FT30-41
31-FT30-22	ULTRAGRIP	2	166.35 IN.	68.12 IN.	52.97 IN.	25	138	31-FT30-31	31-FT30-41
31-FT30-23	ULTRAGRIP	3	166.35 IN.	68.12 IN.	52.97 IN.	25	138	31-FT30-31	31-FT30-41
31-FT30-02	STABILIGRIP	2	166.35 IN.	68.12 IN.	52.97 IN.	25	142	31-FT30-31	31-FT30-41
31-FT30-03	STABILIGRIP	3	166.35 IN.	68.12 IN.	52.97 IN.	25	142	31-FT30-31	31-FT30-41

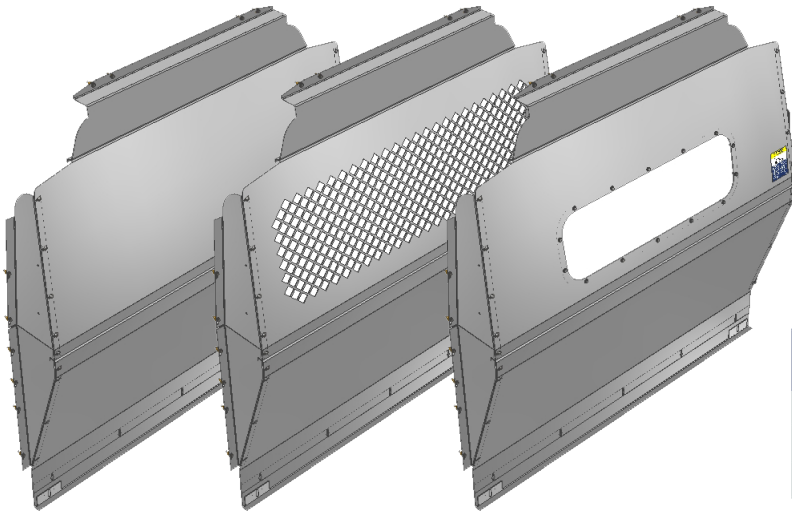
TRADE PACKAGES

PARTITIONS



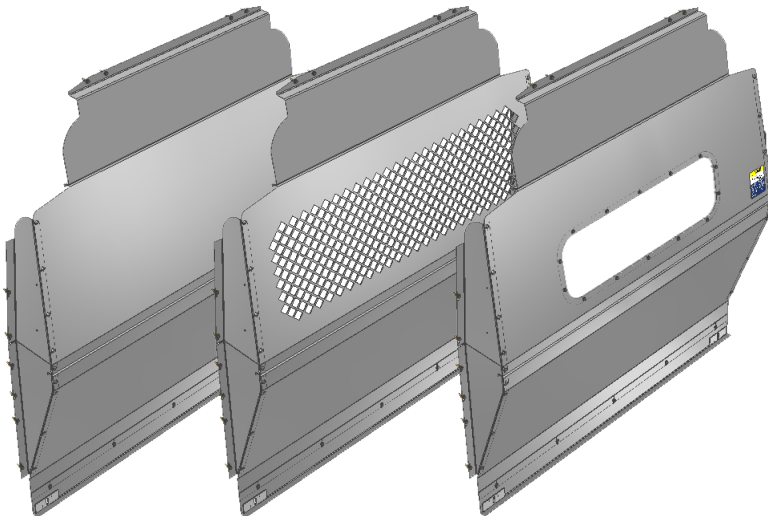
INSIDE ROOF HEIGHT
LOW ROOF: 53"

PART NUMBER	DESCRIPTION	FAIT SUR:	WEIGHT (LBS.)
10-FT01-121	PROFILED SOLID PARTITION	LOW ROOF	45
10-FT01-122	PROFILED PERFORATED PARTITION	LOW ROOF	42
10-FT01-123	PROFILED WINDOW PARTITION	LOW ROOF	43



INSIDE ROOF HEIGHT
MEDIUM ROOF: 70"

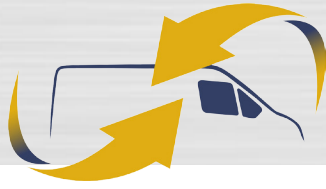
PART NUMBER	DESCRIPTION	FITS:	WEIGHT (LBS.)
10-FT02-121	PROFILED SOLID PARTITION	MEDIUM ROOF	51
10-FT02-122	PROFILED PERFORATED PARTITION	MEDIUM ROOF	48
10-FT02-123	PROFILED WINDOW PARTITION	MEDIUM ROOF	49



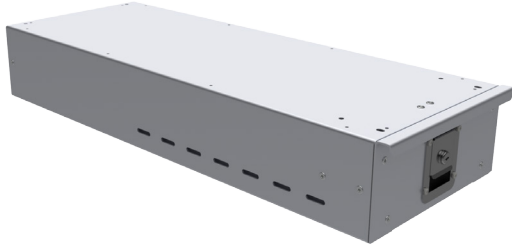
INSIDE ROOF HEIGHT
HIGH ROOF: 79"

PART NUMBER	DESCRIPTION	FITS:	WEIGHT (LBS.)
10-FT03-121	PROFILED SOLID PARTITION	HIGH ROOF	56
10-FT03-122	PROFILED PERFORATED PARTITION	HIGH ROOF	53
10-FT03-123	PROFILED WINDOW PARTITION	HIGH ROOF	54

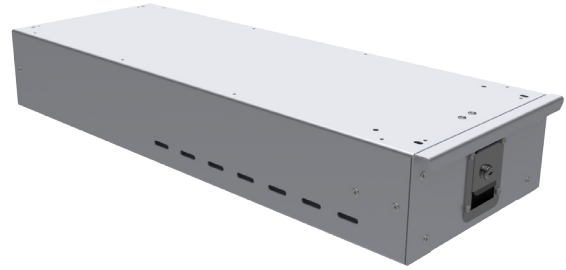
TRADE PACKAGES



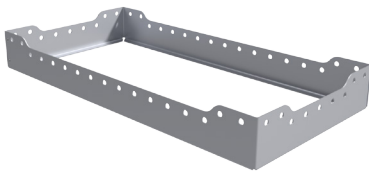
ACCESSORIES



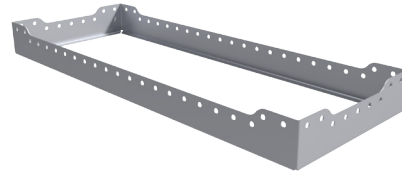
PART NUMBER	DESCRIPTION	DEEP (IN.)	WIDE (IN.)	HIGH (IN.)	DIVIDERS	WEIGHT (LBS.)
11-8320-0	DRAWER CABINET	36	13.5	6	4	24.2



PART NUMBER	DESCRIPTION	DEEP (IN.)	WIDE (IN.)	HIGH (IN.)	DIVIDERS	WEIGHT (LBS.)
11-8420-0	DRAWER CABINET	48	13.5	6	5	30.5



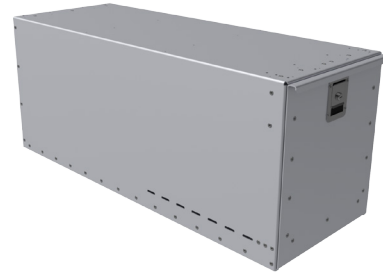
PART NUMBER	DESCRIPTION	DEEP (IN.)	WIDE (IN.)	HIGH (IN.)	FITS :	WEIGHT (LBS.)
30-TE-33	TOP EDGE	36	13.5	4.5	11-3306-0	4.35



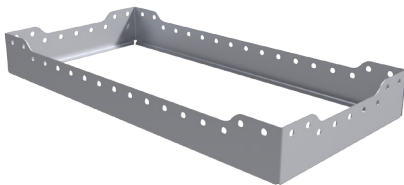
PART NUMBER	DESCRIPTION	DEEP (IN.)	WIDE (IN.)	HIGH (IN.)	FITS :	WEIGHT (LBS.)
30-TE-34	TOP EDGE	48	13.5	4.5	11-3406-0	4.79



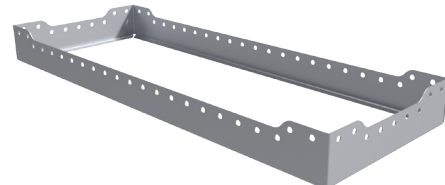
PART NUMBER	DESCRIPTION	DEEP (IN.)	WIDE (IN.)	HIGH (IN.)	BOLT DOWN BRACKET	WEIGHT (LBS.)
11-8320-0	DRAWER CABINET	36	18	20	30-FH-3	58.74



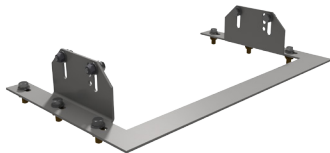
PART NUMBER	DESCRIPTION	DEEP (IN.)	WIDE (IN.)	HIGH (IN.)	BOLT DOWN BRACKET	WEIGHT (LBS.)
11-8420-0	DRAWER CABINET	48	18	20	30-FH-8	72.77



PART NUMBER	DESCRIPTION	DEEP (IN.)	WIDE (IN.)	HIGH (IN.)	FITS :	WEIGHT (LBS.)
30-TE-83	TOP EDGE	36	13.5	4.5	11-8320-0	5.34



PART NUMBER	DESCRIPTION	DEEP (IN.)	WIDE (IN.)	HIGH (IN.)	FITS :	WEIGHT (LBS.)
30-TE-84	TOP EDGE	48	18	4.5	11-8420-0	5.78



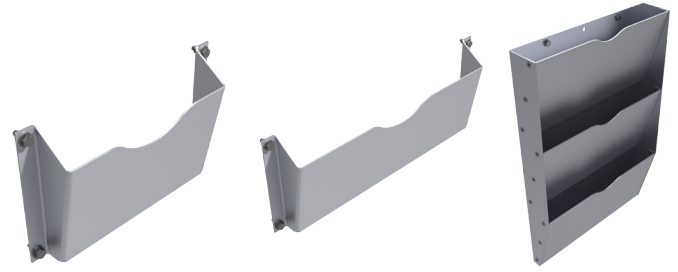
PART NUMBER	DESCRIPTION	FITS :	MATERIAL	WEIGHT (LBS.)
30-FH-3	DRAWER BOLT DOWN BRACKET	11-3306-0 AND 11-3406-0	GALV. STEEL	3



PART NUMBER	DESCRIPTION	FITS :	MATERIAL	WEIGHT (LBS.)
30-FH-8	DRAWER BOLT DOWN BRACKET	11-8320-0 AND 11-8420-0	GALV. STEEL	4

TRADE PACKAGES

ACCESSORIES



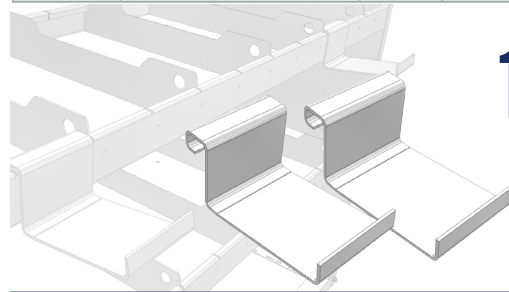
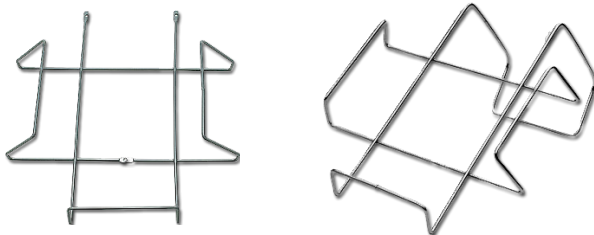
PART NUMBER	DESCRIPTION	OPENING RADIUS	DEEP (IN.)	WIDE (IN.)	HIGH (IN.)	WEIGHT (LBS.)
30-HK-CSM	SMALL COAT HOOK (ZINC)	0.625"	1.5"	0.61"	3.11"	0.133
30-HK-CMD	MEDIUM COAT HOOK (ZINC)	1.25"	1.7"	1.5"	2.03"	0.123

PART NUMBER	DESCRIPTION	DOCUMENT SIZE	DEEP (IN.)	WIDE (IN.)	HIGH (IN.)	WEIGHT (LBS.)
30-DH-LTR-1	SINGLE DOCUMENT HOLDER	LETTER	2.1"	11.5"	7"	0.8
30-DH-LGL-1	SINGLE DOCUMENT HOLDER	LEGAL	2.1"	18"	7"	0.9
30-DH-LGL-3	TRIPLE DOCUMENT HOLDER	LEGAL	3.25"	16"	24"	3.6



PART NUMBER	DESCRIPTION	OPENING RADIUS	DEEP (IN.)	WIDE (IN.)	HIGH (IN.)	WEIGHT (LBS.)
30-HK-FSM	FIXED SMALL HOOK	2"	2.0"	0.75"	4.75"	0.11
30-HK-FMD	FIXED MEDIUM HOOK	3"	3.0"	0.75"	5.25"	0.16
30-HK-FLG	FIXED LARGE HOOK	4"	4.0"	0.75"	5.75"	0.16

PART NUMBER	DESCRIPTION	OPENING RADIUS	DEEP (IN.)	WIDE (IN.)	HIGH (IN.)	WEIGHT (LBS.)
30-HK-SSM	SWIVEL SMALL HOOK	3"	3.86"	3"	7.75"	0.41
30-HK-SMD	SWIVEL MEDIUM HOOK	4"	4.86"	3"	8.25"	0.44
30-HK-SLG	SWIVEL LARGE HOOK	5"	5.86"	5"	8.75"	0.47



1 PAIR

PART NUMBER	DESCRIPTION	MATERIAL	DEEP (IN.)	WIDE (IN.)	HIGH (IN.)	WEIGHT (LBS.)
30-HH-WM	WALL MOUNTED HARD HAT HOLDER	STEEL	11.750"	12.250"	3.250"	0.437
30-HH-HR	HEAD REST MOUNT HARD HAT HOLDER	STEEL	11.750"	12.250"	3.250"	0.491

PART NUMBER	DESCRIPTION	MATERIAL	DEEP (IN.)	WIDE (IN.)	HIGH (IN.)	WEIGHT (LBS.)
30-HK-MSL	MOVABLE STEP LADDER SHELF HOOKS	ALUM (125)	6.750"	4.000"	3.125"	1.36

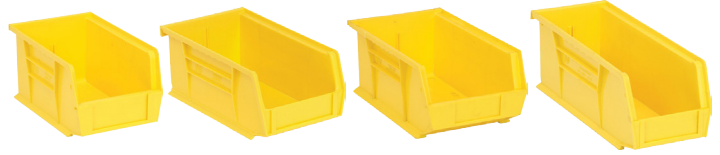
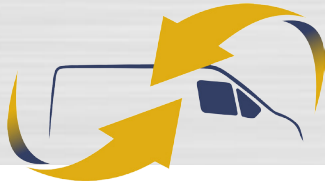


PART NUMBER	DESCRIPTION	DEEP (IN.)	WIDE (IN.)	HIGH (IN.)	WEIGHT (LBS.)
30-CH-12	SPRAY CAN HOLDER W/POCKET	4.00"	9.94"	8.82"	1.36

PART NUMBER	DESCRIPTION	DEEP (IN.)	WIDE (IN.)	HIGH (IN.)	WEIGHT (LBS.)
30-CH-23	CAULKING TUBE HOLDER	3.5"	9.94"	8.82"	1.36

TRADE PACKAGES

ACCESSORIES

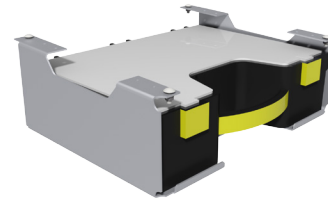


PART NUMBER	DESCRIPTION	MATERIAL	DEEP (IN.)	WIDE (IN.)	HIGH (IN.)	WEIGHT (LBS.)
30-HS-07	HITCH MOUNTED STEP	ALUMINUM	7"	18"	2.5"	6.3

PART NUMBER	DESCRIPTION	DEEP (IN.)	WIDE (IN.)	HIGH (IN.)	WEIGHT (LBS.)	COLOUR
SH-BIN	SHORT STORAGE BIN	7.375"	4.125"	3.000"	0.20	YELLOW
SM-BIN	SMALL STORAGE BIN	9.250"	6.000"	5.000"	0.63	YELLOW
MD-BIN	MEDIUM STORAGE BIN	10.875"	4.125"	4.000"	0.48	YELLOW
LG-BIN	LARGE STORAGE BIN	13.625"	8.500"	6.000"	1.33	YELLOW



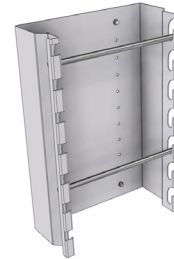
PART NUMBER	DESCRIPTION	DIAMETER (IN.)	HIGH (IN.)	COLOUR	BASE	WEIGHT (LBS.)
30-FLT-BLK	FLETTNER TCX-2 VENTILATOR	10.2"	6.54"	BLACK	STD	1.84
30-FLT-WHT	FLETTNER TCX-2 VENTILATOR	10.2"	6.54"	WHITE	STD	1.84
30-FLT-BLK-NW	FLETTNER TCX-2 VENTILATOR	3.9"	6.0"	BLACK	NRW	1.84
30-FLT-EXT	FLETTNER TCX-2 VENT. EXTENSION	3.9"	6.0"	BLACK	STD	0.45



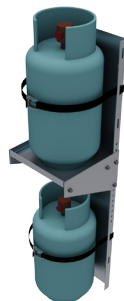
PART NUMBER	DESCRIPTION	CARRYCASE INCLUDED	DEEP (IN.)	WIDE (IN.)	HIGH (IN.)	WEIGHT (LBS.)
30-CCH-SK	UNDER SHELF CARRYCASE HOLDER	YES	13.750"	16.810"	6.000"	3.44



PART NUMBER	DESCRIPTION	COMPARTMENTS	DEEP (IN.)	WIDE (IN.)	HIGH (IN.)	WEIGHT (LBS.)
30-CCO-10	CARRYCASE ORGANIZER	10	13.500"	16.750"	4.250"	4.85



PART NUMBER	DESCRIPTION	REEL GUIDES	DEEP (IN.)	WIDE (IN.)	HIGH (IN.)	WEIGHT (LBS.)
30-CRH-24	CABLE REEL HOLDER	2	7.00"	15.50"	24.00"	8.04



PART NUMBER	DESCRIPTION	DEEP (IN.)	WIDE (IN.)	HIGH (IN.)	WEIGHT (LBS.)	CAM BUCKLES
30-TBH	TWIN BOTTLE HOLDER	11.10"	11.00"	44.00"	8.74	2X 48" STRAP



PART NUMBER	DESCRIPTION	MATERIAL	DEEP (IN.)	WIDE (IN.)	HIGH (IN.)	WEIGHT (LBS.)
30-BH-SM	BOTTLE HOLDER (SMALL) 1X 48" STRAP	ALUM.	0.96"	6.000"	12.00"	1.01
30-BH-LG	BOTTLE HOLDER (LARGE) 2X 48" STRAP	ALUM.	0.96"	6.750"	24.00"	1.50

TRADE PACKAGES

ACCESSORIES



PART NUMBER	DESCRIPTION	DEEP (IN.)	WIDE (IN.)	HIGH (IN.)	MATERIAL	WEIGHT (LBS.)
108539	FIRST-AID KIT	8.25	5.25	2.75	PLASTIC	0.85
30-FAH-1	BRACKET FOR FIRST-AID KIT	36	13.5	6	ALUMINUM	2.42



PART NUMBER	DESCRIPTION	UNIT	MATERIAL
460-301	SERIES L LOGISTIC TRACK	100"	ALUMINUM
454-301	SERIES L STUD FITTING WITH RING	EA.	STEEL AND ALUMINUM



PART NUMBER	DESCRIPTION	LENGTH	WIDTH	MATERIAL	WEIGHT (LBS.)
30-CBS-24	STRAP WITH CAMBUCKLE	24	1	NYLON	.23
30-CBS-36	STRAP WITH CAMBUCKLE	36	1	NYLON	.33
30-CBS-48	STRAP WITH CAMBUCKLE	48	1	NYLON	.40
30-CBS-72	STRAP WITH CAMBUCKLE	72	1	NYLON	.45



PART NUMBER	DESCRIPTION	CAPACITY	TYPE	PSI	MOUNT TYPE	WEIGHT (LBS.)
SAQ814	FIRE EXTINGUISHER	2.5LBS	ABC	150	VEHICLE	4.25
SC946	FIRE EXTINGUISHER	5LBS	ABC	195	VEHICLE	10.5



PART NUMBER	DESCRIPTION	DIAMETER	LUMENS	VOLTAGE	LENS
701-041	LED DOME LAMP	6.125	648	12 VDC	CLEAR



PART NUMBER	DESCRIPTION	BEAN	VOLTS	WATTS	LUMENS
709-713	LED WORK LAMP	FLOOD	10-30 VDC	42	3360



1 PAIR

PART NUMBER	DESCRIPTION	DEEP (IN.)	WIDE (IN.)	HIGH (IN.)	WEIGHT (LBS.)	COLOUR
30-QFC-01	QUICK FIST CLAMP	2.875"	0.750"	2.500"	0.31	BLACK



PART NUMBER	DESCRIPTION	DEEP (IN.)	WIDE (IN.)	HIGH (IN.)	WEIGHT (LBS.)	COLOUR
30-HDL-PL	GRAB HANDLE	9.250"	6.000"	5.000"	0.63	BLACK



PART NUMBER	DESCRIPTION	SIZE (IN.)	HIGH (IN.)	AMPS	VOLTAGE
102177	LOW PROFILE LED MINIBAR	16.5" X 8.25"	3.625"	3	12-24VDC
110599	LED ROTATOR BEACON	7" DIAM.	5.25	1.3	12-24VDC



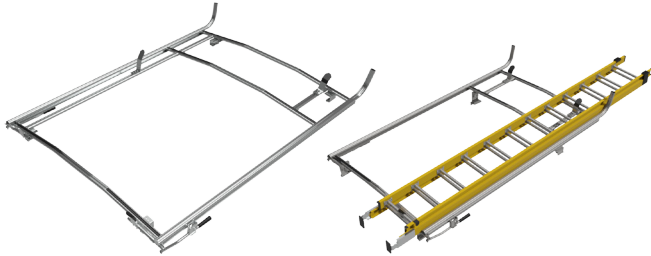
PART NUMBER	DESCRIPTION	DEEP	WIDE	HIGH	MATERIAL	WEIGHT (LBS.)
71422	3-TRIANGLE FLARE KIT	18.5"	5"	5"	PLASTIC	15.55
30-FKH-1	BRACKET (FLARE KIT)	36	13.5	6	ALUMINUM	24.2

TRADE PACKAGES



LADDER AND STEP LADDER RACKS

CONTRACTOR - PLUMBER - ELECTRICIAN

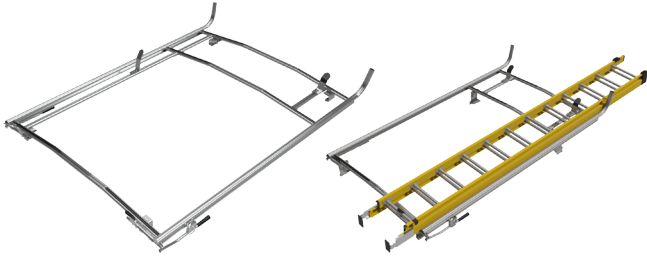


HVAC

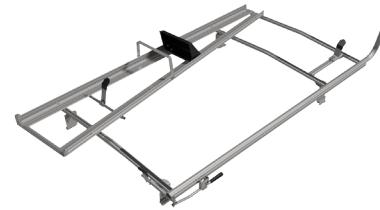


PART NUMBER	RECOMMENDED TRADE	DRIVER SIDE	PASSENGER SIDE		WEIGHT (LBS.)	INSTALL	OPTIONS					
							4" TUBE	6" TUBE	2ND STEPLADDER OPTION (4'-6')			
CALL	CONTRACTOR/PLUMBER/ELECTRICIAN		8'-10'	FIXED	FIXED	MAX 28'		65	2H00	T4	T6	N/A
US	CONTRACTOR/PLUMBER/ELECTRICIAN		6'-8'	DROP	DROP	MAX 28'		115	2H00	N/A	N/A	N/A
TO	HVAC		6'-8'	FIXED	FIXED	MAX 28'		65	2H00	N/A	N/A	SL2
CONFIGURE	HVAC		6'-8'	FIXED	DROP	MAX 28'		115	2H00	N/A	N/A	SL2

CONTRACTOR - PLUMBER - ELECTRICIAN



HVAC



PART NUMBER	RECOMMENDED TRADE	DRIVER SIDE	PASSENGER SIDE		WEIGHT (LBS.)	INSTALL	OPTIONS					
							4" TUBE	6" TUBE	2ND STEPLADDER OPTION (4'-6')			
CALL	CONTRACTOR/PLUMBER/ELECTRICIAN		6'-8'	DROP	DROP	MAX 28'		115	2H00	N/A	N/A	N/A
US	HVAC		6'-8'	FIXED	DROP	MAX 28'		115	2H00	N/A	N/A	SL2

CONTRACTOR - PLUMBER - ELECTRICIAN



HVAC



PART NUMBER	RECOMMENDED TRADE	DRIVER SIDE	PASSENGER SIDE		WEIGHT (LBS.)	INSTALL	OPTIONS					
							4" TUBE	6" TUBE	2ND STEPLADDER OPTION (4'-6')			
CALL	CONTRACTOR/PLUMBER/ELECTRICIAN		6'-8'	DROP	DROP	MAX 28'		115	2H00	N/A	N/A	N/A
US	HVAC		6'-8'	FIXED	DROP	MAX 28'		115	2H00	N/A	N/A	SL2
TO	CONTRACTOR/PLUMBER/ELECTRICIAN		6'-8'	DROP	DROP	MAX 28'		115	2H00	N/A	N/A	N/A
CONFIGURE	HVAC		6'-8'	FIXED	DROP	MAX 28'		115	2H00	N/A	N/A	SL2



YOUR DEALER:

DEALERS@GWAKITS.COM

G.W. ANGLIN MANUFACTURING INC.

**CUSTOMER SERVICE:
1.888.GWA.KITS (492-5487)
CS@GWAKITS.COM**

**WWW.GWAKITS.COM
INFO@GWAKITS.COM**